

### RD177

Dana 70X/80X,40 SPL,High Speed

### PARTS LIST

| ITEM # | QTY | DESCRIPTION                       | PART #       | NOTES |
|--------|-----|-----------------------------------|--------------|-------|
| 1      | 2   | TAPERED ROLLER BEARINGS           | NOT SUPPLIED |       |
| 2      | 1   | SEAL HOUSING O-RINGS (PK OF 2)    | 160251-2     | 1     |
| 3      | 1   | SEAL HOUSING KIT                  | 082107SP     | 3     |
| 4      | 1   | SEAL HOUSING BRACKET              | 220212       |       |
| 5      | 1   | FLANGE CAP KIT                    | 028617SP     | 3     |
| 6      | 4   | PINION GEAR THRUST WASHER         | SEE NOTE     | 4     |
| 7      | 4   | PINION GEAR                       | SEE NOTE     | 2     |
| 8      | 1   | SPLINED SIDE GEAR                 | SEE NOTE     | 2     |
| 9      | 1   | SPIDER BLOCK                      | 070402SP     |       |
| 10     | 1   | SIDE GEAR                         | SEE NOTE     | 2     |
| 11     | 2   | SIDE GEAR THRUST WASHER           | SEE NOTE     | 4     |
| 12     | 1   | DIFFERENTIAL CASE                 | 013217SP     | 3     |
| 13     | 1   | RETAINING PIN SET (PK OF 4)       | 120601SP     |       |
| 14     | 1   | COUNTERSUNK SCREW (PK OF 2)       | 200214SP     |       |
| 15     | 2   | MASTER SHIM (OD Ø104.5)           | 150357       |       |
| *      | 2   | MASTER SHIM (OD Ø95.8)            | 150331       |       |
| 16     | 1   | BONDED SEAL                       | 160706SP     |       |
| 17     | 1   | CLUTCH GEAR & WAVESPRING KIT      | 050909SP     |       |
| 18     | 1   | WAVESPRING                        | 150705SP     |       |
| 19     | 2   | SHORT CROSS SHAFT                 | 061601SP     |       |
| 20     | 1   | LONG CROSS SHAFT                  | 061501SP     |       |
| *      | 1   | SHIM KIT (OD Ø104.5)              | SHK006       |       |
| *      | 1   | SHIM KIT (OD Ø95.8)               | SHK001       |       |
| *      | 1   | BULKHEAD FITTING KIT (BANJO TYPE) | 170114       | 5     |
| *      | 1   | AIR LINE (6mm DIA X 6m LONG)      | 170314       | 5     |
| *      | 1   | SOLENOID VALVE (12V)              | 180103       |       |
| *      | 1   | SWITCH FR OR RR LOCKER            | 180225       |       |
| *      | 1   | CABLE TIE (PK OF 25)              | 180305       |       |
| *      | 1   | OPERATING & SERVICE MANUAL        | 210200       |       |
| *      | 1   | INSTALLATION GUIDE                | 2102177      |       |

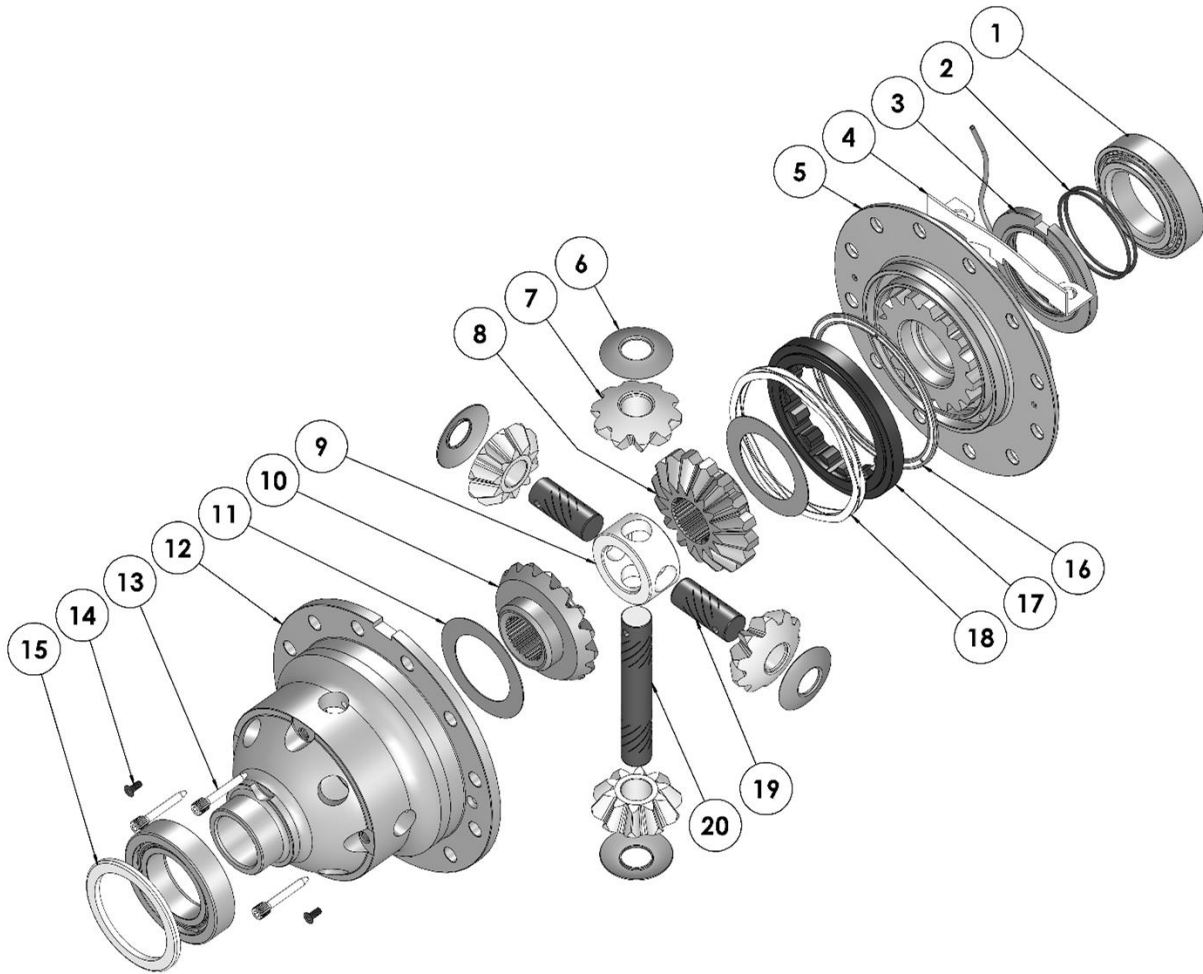
\* *Not illustrated in exploded view*

### NOTES

- 1 For replacement O-rings use only BS149 Viton 75.
- 2 Available only as complete 6 gear set # 728K051
- 3 Diffs built pre June 2014 (serial numbers before 14060001) have 082106 Seal Housing, 013213 Case, and 028613 Flange Cap.
- 4 Available only as complete thrust washer kit #730K01
- 5 All diffs produced before serial #17070001 came with 5mm air connection system. For information contact ARB.
- For Low Speed ratios please refer to RD176 ([Section 2.176](#))

**RD177**

Dana 70X/80X,40 SPL,High Speed

**EXPLODED DIAGRAM****SPECIFICATIONS**

|                    |                            |
|--------------------|----------------------------|
| Axle Spline        | 40 tooth, Ø43.4mm [1.71"]  |
| Ratio Supported    | Varies                     |
| Ring Gear ID       | 174.9mm [6.89"]            |
| Ring Gear OD       | 267mm [10.5"]              |
| Ring Gear Bolts    | 12 bolts on Ø203mm [8.00"] |
| Ring Gear Torque   | 149Nm [110 ft-lb]          |
| Backlash           | 0.15-0.25mm [0.006-0.010"] |
| Bearing Cap Torque | 108Nm [80 ft-lb]           |

ARB Corporation Ltd • 42-44 Garden St Kilsyth VIC 3137 Australia  
ARB 4X4 Accessories USA • 720 SW 34<sup>th</sup> St Renton WA 98057 USA  
Australia & International Customer Service • +61 3 9761 6622  
North America Customer Service • Toll Free 866 293 9078  
www.arb.com.au (AUS & Int) www.arbusa.com (N. America)

