

**RD224**

Nissan M205, FR, 30 SPL

### PARTS LIST

ITEM #	QTY	DESCRIPTION	PART #	NOTES
01	1	FLANGE CAP KIT	028524SP	
02	1	BONDED SEAL	160701SP	
03	1	CLUTCH GEAR & WAVESPRING KIT	050902SP	
04	1	WAVESPRING	150702SP	
05	1	SPIDER BLOCK	070503SP	
06	1	LONG CROSS SHAFT	061302SP	
07	1	SIDE GEAR	SEE NOTE	2
08	2	SIDE GEAR THRUST WASHER	SEE NOTE	3
09	1	DIFFERENTIAL CASE	013124SP	
10	1	COUNTERSUNK SCREW (PK OF 2)	200213SP	
11	1	RETAINING PIN SET (PK OF 4)	120601SP	
12	2	OE ADJUSTER NUT	NOT SUPPLIED	
13	1	SEAL HOUSING KIT	081825SP	
14	1	SEAL HOUSING O-RINGS (PK OF 2)	160235-2	1
15	2	TAPERED ROLLER BEARING	NOT SUPPLIED	
16	1	SPLINED SIDE GEAR	SEE NOTE	2
17	4	PINION GEAR	SEE NOTE	2
18	4	PINION THRUST WASHER	SEE NOTE	3
19	2	SHORT CROSS SHAFT	061402SP	
*	1	HEX TOOL ADJUSTER	220214SP	
*	1	BULKHEAD FITTING KIT (BANJO TYPE)	170114	4
*	1	AIR LINE (6mm DIA X 6m LONG)	170314	4
*	1	SOLENOID VALVE (12V)	180103	
*	1	SWITCH FR LOCKER	180223	
*	1	CABLE TIE (PK OF 25)	180305	
*	1	OPERATING & SERVICE MANUAL	210200	
*	1	INSTALLATION GUIDE	2102224	

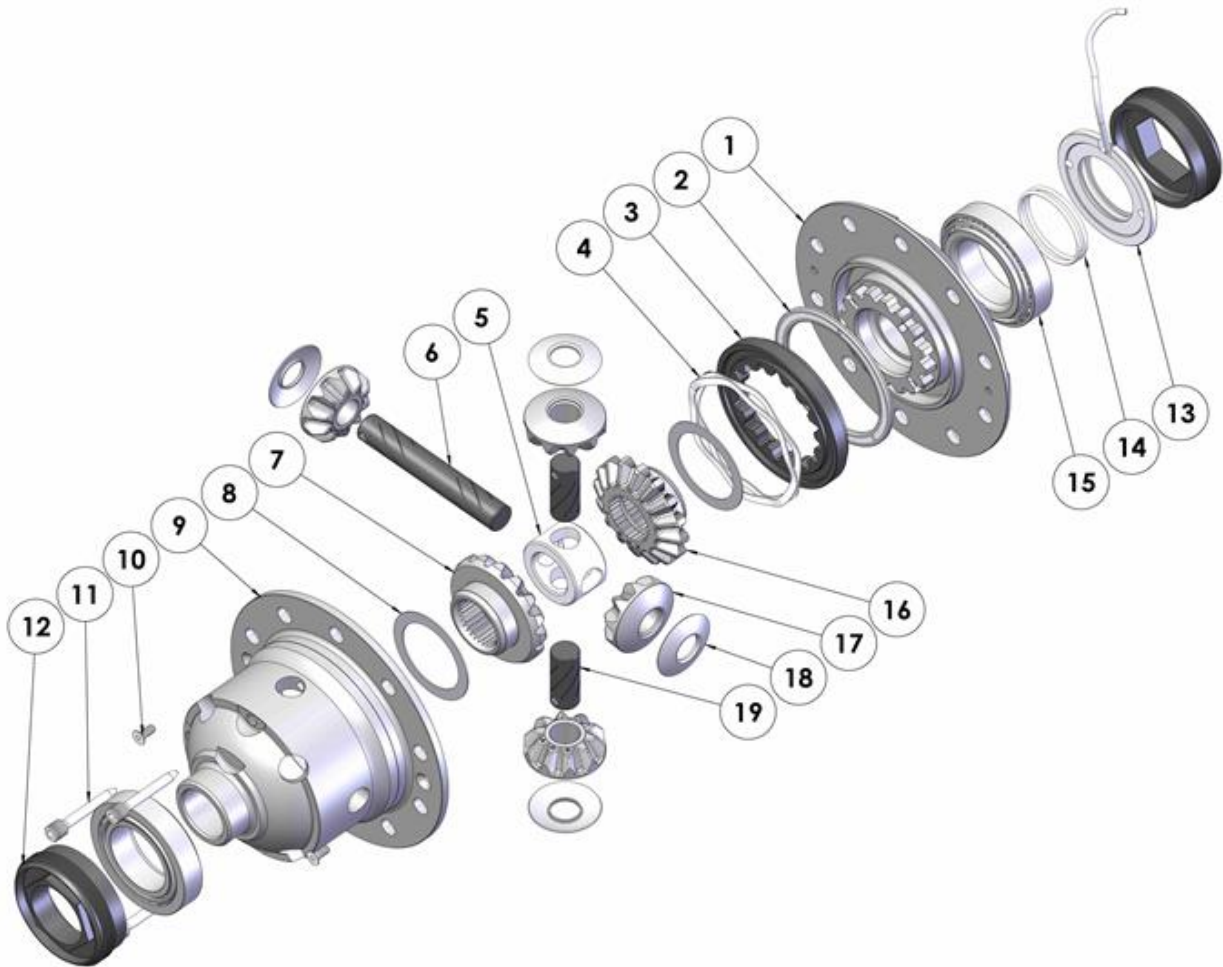
\* *Not illustrated in exploded view*

### NOTES

- 1 For replacement O-rings use only BS136 Viton 75.
- 2 Available only as complete 6 gear set # 728J111
- 3 Available only as complete thrust washer kit #730J01
- 4 All diffs produced before serial #17070001 came with 5mm air connection system. For information contact ARB.

**RD224**

Nissan M205, FR, 30 SPL

**EXPLODED DIAGRAM****SPECIFICATIONS**

Axle Spline	30 tooth, Ø32.8mm [1.29"]
Ratio Supported	All
Ring Gear ID	121.26mm [4.77"]
Ring Gear OD	205mm [8.07"]
Ring Gear Bolts	10 bolts on Ø146.1mm [5.75"]
Ring Gear Torque	145Nm [107 ft-lb]
Backlash	0.13-0.18mm [0.005-0.007"]
Bearing Cap Torque	51Nm [38ft-lb]

ARB Corporation Ltd • 42-44 Garden St Kilsyth VIC 3137 Australia  
ARB 4X4 Accessories USA • 720 SW 34<sup>th</sup> St Renton WA 98057 USA  
Australia & International Customer Service • +61 3 9761 6622  
North America Customer Service • Toll Free 866 293 9078  
www.arb.com.au (AUS & Int) www.arbusa.com (N. America)