

RD46

Mitsubishi 9",RR,28 SPL

****THIS MODEL WAS SUPERSEDED BY RD212, CROSSED OUT PARTS NOT AVAILABLE**

PARTS LIST

ITEM #	QTY	DESCRIPTION	PART #	NOTES
01	1	FLANGE CAP	021202	
02	1	CLUTCH GEAR	050202	
03	1	DIFFERENTIAL CASE	011403	
04	1	RETURN SPRINGS (PK OF 4)	150101SP	
05	1	RETAINING PIN SET (PK OF 4)	120303SP	
06	4	SHORT CROSS SHAFT	060402	
07	1	S GEAR THRUST WASHER (PK OF 2)	151002SP	
08	1	PISTON	040202SP	
09	1	ANNULAR SEAL	160905SP	
10	1	CYLINDER CAP ASSEMBLY	030603	
11	1	CYL CAP RETAINING BOLT (PK OF 8)	200205SP	
12	1	LOCKING TAB (8mm) (PK OF 8)	150401SP	
13	1	TAPERED ROLLER BEARING	NOT SUPPLIED	
14	1	ADJUSTER NUT	100101SP	
15	1	SEAL HOUSING KIT	081902SP	
16	1	SEAL HOUSING O-RINGS (PK OF 2)	160235-2	1
17	1	SEAL HOUSING RETAINING CLIP	150601SP	
18	1	SPLINED SIDE GEAR	SEE NOTE	2
19	1	PINION THRUST WASHER (PK OF 4)	151102SP	
20	4	PINION GEAR	SEE NOTE	2
21	1	SPIDER BLOCK	070201SP	
22	1	THRUST BLOCK	110504SP	
23	1	SIDE GEAR	SEE NOTE	2
*	1	BULKHEAD FITTING KIT (O-RING TYPE)	170111	
*	1	PUSH-IN FITTING (5mm to 1/8"BSPP)	170201SP	
*	1	AIR LINE (5mm DIA X 6m LONG)	170301SP	
*	1	SOLENOID VALVE (12V)	180103	
*	1	SWITCH RR LOCKER	180224	
*	1	CABLE TIE (PK OF 25)	180305	
*	1	OPERATING & SERVICE MANUAL	210200	
*	1	INSTALLATION GUIDE	210246	

* *Not illustrated in exploded view*

NOTES

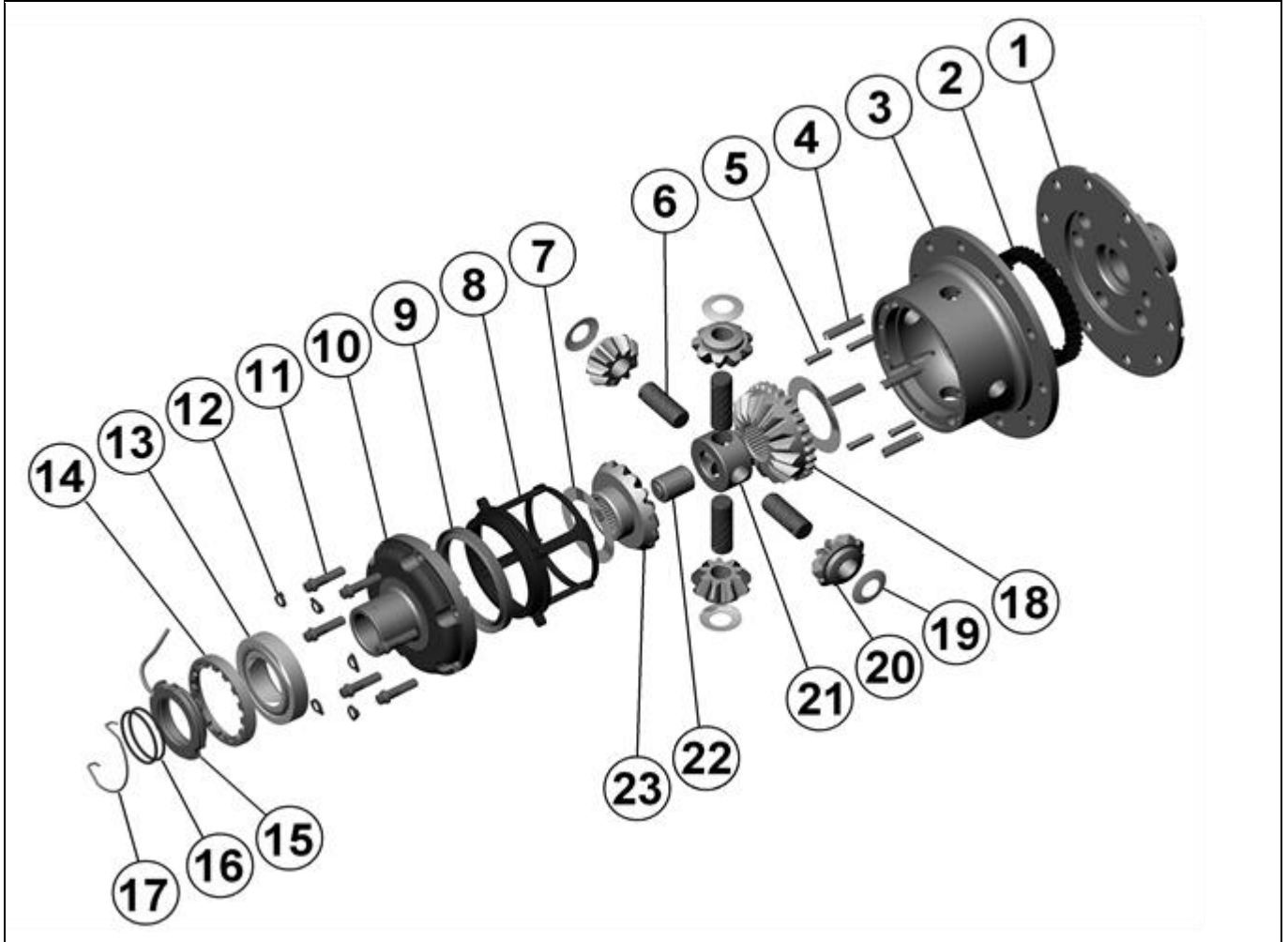
- 1 For replacement O-rings use only BS133 Viton 75.
- 2 Available only as complete 6 gear set # 728A064
- For information on RD46 models with metal pistons, contact ARB.
- For seal housing set-up refer to tech notes (Section 5.1 & 5.2).
- For the 'small' Mitsubishi 28 spline rear differential with 10 ring gear bolts refer to RD05 (Section 2.5).

RD46

Mitsubishi 9",RR,28 SPL

****THIS MODEL WAS SUPERSEDED BY RD212, CROSSED OUT PARTS NOT AVAILABLE**

EXPLODED DIAGRAM



SPECIFICATIONS

Axle Spline	28 tooth, Ø30.5mm [1.20"]
Ratio Supported	All
Ring Gear ID	145.0mm [5.71"]
Ring Gear Bolts	12 bolts on Ø175mm [6.89"]
Ring Gear Torque	85Nm [63 ft-lb]
Backlash	0.13-0.18mm [0.005-0.007"]
Bearing Cap Torque	60Nm [44 ft-lb]