

**RD75**

Suzuki,FR,22 SPL,10 bolt RG

**\*\*THIS MODEL WAS SUPERSEDED BY RD205, CROSSED OUT PARTS NOT AVAILABLE**

### PARTS LIST

| ITEM # | QTY | DESCRIPTION                        | PART #       | NOTES |
|--------|-----|------------------------------------|--------------|-------|
| 01     | 1   | FLANGE CAP                         | 023701       |       |
| 02     | 1   | CLUTCH GEAR                        | 050701       |       |
| 03     | 1   | DIFFERENTIAL CASE                  | 012802       |       |
| 04     | 1   | RETURN SPRINGS (PK OF 12)          | 150107SP     |       |
| 05     | 1   | RETAINING PIN SET (PK OF 3)        | 120403SP     |       |
| 06     | 1   | LONG CROSS SHAFT                   | 060106       |       |
| 07     | 2   | SHORT CROSS SHAFT                  | 060306       |       |
| 08     | 1   | PISTON                             | 040801SP     |       |
| 09     | 1   | U-RING                             | 160306SP     |       |
| 10     | 1   | CYLINDER CAP ASSEMBLY              | 031301SP     |       |
| 11     | 1   | CYL CAP RETAINING BOLT (PK OF 8)   | 200211SP     |       |
| 12     | 1   | LOCKING TAB (6mm) (PK OF 8)        | 150402SP     |       |
| 13     | 1   | TAPERED ROLLER BEARING             | NOT SUPPLIED |       |
| 14     | 1   | SEAL HOUSING RETAINING CLIP        | 150601SP     |       |
| 15     | 1   | SPLINED SIDE GEAR                  | SEE NOTE     | 2     |
| 16     | 1   | PINION THRUST WASHER (PK OF 4)     | 151108SP     |       |
| 17     | 4   | PINION GEAR                        | SEE NOTE     | 2     |
| 18     | 1   | SPIDER BLOCK                       | 070701       |       |
| 19     | 1   | SIDE GEAR                          | SEE NOTE     | 2     |
| 20     | 1   | S GEAR THRUST WASHER (PK OF 2)     | 151008SP     |       |
| 21     | 1   | ADJUSTER NUT                       | 100101SP     |       |
| 22     | 1   | SEAL HOUSING KIT                   | 081902SP     |       |
| 23     | 1   | SEAL HOUSING O-RINGS (PK OF 2)     | 160235-2     | 1     |
| *      | 1   | BULKHEAD FITTING KIT (O-RING TYPE) | 170111       |       |
| *      | 1   | PUSH-IN FITTING (5mm to 1/8"BSPP)  | 170201SP     |       |
| *      | 1   | AIR LINE (5mm DIA X 6m LONG)       | 170301SP     |       |
| *      | 1   | SOLENOID VALVE (12V)               | 180103       |       |
| *      | 1   | SWITCH FR LOCKER                   | 180223       |       |
| *      | 1   | CABLE TIE (PK OF 25)               | 180305       |       |
| *      | 1   | OPERATING & SERVICE MANUAL         | 210200       |       |
| *      | 1   | INSTALLATION GUIDE                 | 210275       |       |

\* *Not illustrated in exploded view*

### NOTES

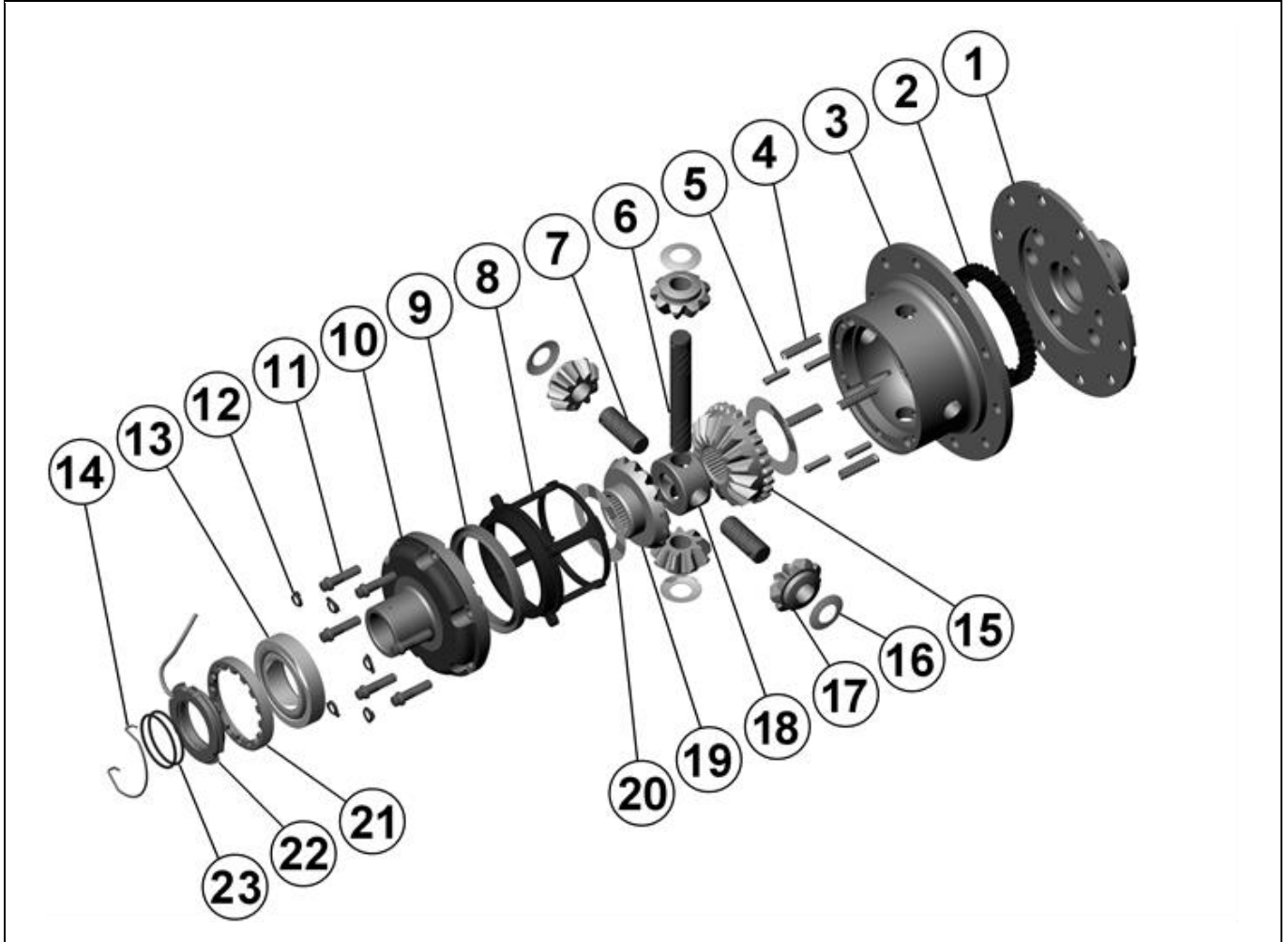
- 1 For replacement O-rings use only BS133 Viton 75.
- 2 Available only as complete 6 gear set # 728G024
- For seal housing set-up refer to tech note ([Section 5.2](#)).

**RD75**

Suzuki,FR,22 SPL,10 bolt RG

**\*\*THIS MODEL WAS SUPERSEDED BY RD205, CROSSED OUT PARTS NOT AVAILABLE**

### EXPLODED DIAGRAM



### SPECIFICATIONS

|                    |                            |
|--------------------|----------------------------|
| Axle Spline        | 22 tooth, Ø23.9mm [0.94"]  |
| Ratio Supported    | All                        |
| Ring Gear ID       | 108.0mm [4.25"]            |
| Ring Gear Bolts    | 10 bolts on Ø130mm [5.12"] |
| Ring Gear Torque   | 95Nm [70 ft-lb]            |
| Backlash           | 0.13-0.18mm [0.005-0.007"] |
| Bearing Cap Torque | 60Nm [44 ft-lb]            |

ARB Corporation Ltd • 42-44 Garden St Kilsyth VIC 3137 Australia  
ARB 4X4 Accessories USA • 720 SW 34<sup>th</sup> St Renton WA 98057 USA  
Australia & International Customer Service • +61 3 9761 6622  
North America Customer Service • Toll Free 866 293 9078  
www.arb.com.au (AUS & Int) www.arbusa.com (N. America)

