

RD80

Dana 80,35 SPL

****THIS MODEL WAS SUPERSEDED BY RD173, CROSSED OUT PARTS NOT AVAILABLE**

PARTS LIST

ITEM #	QTY	DESCRIPTION	PART #	NOTES
01	1	FLANGE CAP	022602	
02	1	CLUTCH GEAR	050401	
03	1	DIFFERENTIAL CASE	012403	
04	1	RETURN SPRING (PK OF 4)	150101SP	
05	1	RETAINING PIN SET (PK OF 4)	120301SP	
06	1	LONG CROSS SHAFT	060703	
07	2	SHORT CROSS SHAFT	060802	
08	1	PISTON	040501SP	
09	1	BONDED SEAL	160703SP	
10	1	CYLINDER CAP	031203	
11	1	SEAL HOUSING O-RINGS (PK OF 2)	160220-2	1
12	1	CYL CAP RETAINING BOLT (PK OF 8)	200205SP	
13	1	LOCKING TAB (6mm) (PK OF 8)	150401SP	
14	1	TAPERED ROLLER BEARING	160113	2
15	1	SEAL HOUSING KIT	080704SP	
16	1	SHIM KIT	SHK006	
*	1	MASTER SHIM	150336	
17	1	SPLINED SIDE GEAR	SEE NOTE	3
18	1	PINION THRUST WASHER (PK OF 4)	151104SP	
19	4	PINION GEAR	SEE NOTE	3
20	1	SPIDER BLOCK	070401	
21	1	SIDE GEAR	SEE NOTE	3
22	1	S GEAR THRUST WASHER (PK OF 2)	151004SP	
*	1	BULKHEAD FITTING KIT (O-RING TYPE)	170111	
*	1	PUSH-IN FITTING (5mm to 1/8" BSPP)	170201SP	
*	1	AIR LINE (5mm DIA X 6m LONG)	170301SP	
*	1	SOLENOID VALVE (12V)	180103	
*	1	SWITCH RR LOCKER	180224	
*	1	CABLE TIE (PK OF 25)	180305	
*	1	OPERATING & SERVICE MANUAL	210200	
*	1	INSTALLATION GUIDE	210280	

* *Not illustrated in exploded view*

NOTES

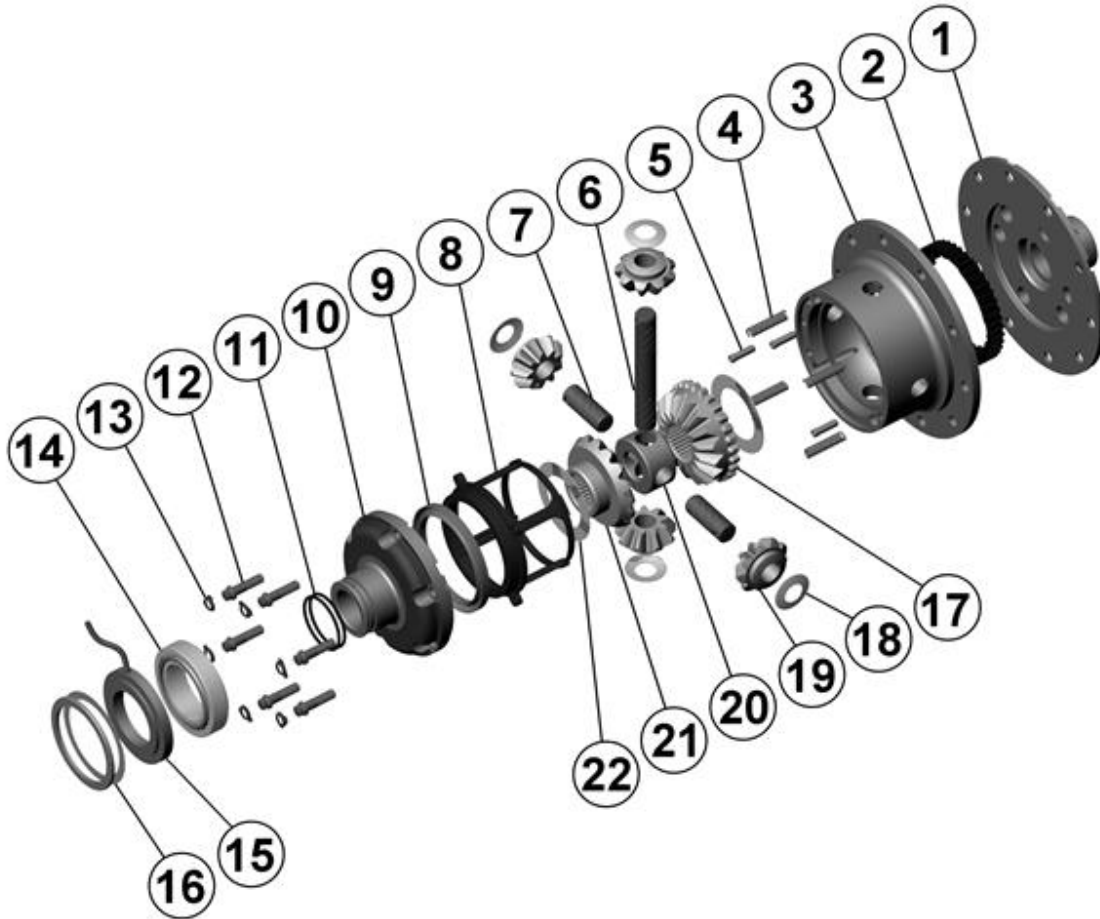
- 1 For replacement O-rings use only BS141 Viton 75.
- 2 For replacement bearing use Timken part # 39250 / 39412.
- 3 Available only as complete 6 gear set # 728E014
- The ratio split for the carrier break varies by application. RD80 suits the numerically higher range (i.e., ????:1 & up) for each application.
- For the 37 spline Dana 80 refer to RD91 ([Section 2.91](#)).

RD80

Dana 80,35 SPL

****THIS MODEL WAS SUPERSEDED BY RD173, CROSSED OUT PARTS NOT AVAILABLE**

EXPLODED DIAGRAM



SPECIFICATIONS

Axle Spline	35 tooth, Ø38.1mm [1.50"]
Ratio Supported	Varies by mfg. (see note)
Ring Gear ID	174.9mm [6.89"]
Ring Gear OD	292mm [11.5"]
Ring Gear Bolts	12 bolts on Ø203mm [8.00"]
Ring Gear Torque	237Nm [175 ft-lb]
Backlash	0.15-0.25mm [0.006-0.010"]
Bearing Cap Torque	108Nm [80 ft-lb]