



RD197

AAM 925 & 950|HIGH SPD

**AIR OPERATED
LOCKING DIFFERENTIAL
INSTALLATION GUIDE**

No liability is assumed for damages resulting in the use of the information contained herein.
ARB *Air Locker* Air Operated Locking Differentials and *Air Locker* are trademarks of ARB Corporation Limited.
Other product names used herein are for identification purposes only and may be trademarks of their respective owners.

ARB 4x4 ACCESSORIES

Corporate Head Office

**42-44 Garden St
Kilsyth, Victoria
AUSTRALIA
3137**

Tel: +61 (3) 9761 6622

Fax: +61 (3) 9761 6807

Australian enquiries

North and South American enquiries

Other international enquiries

sales@arb.com.au

sales@arb.com.au

exports@arb.com.au

www.arb.com.au

Table of Contents:

1	Introduction	3
1.1	Pre-Installation Preparation	3
1.2	Tool-Kit Recommendations	4
1.3	Assembly Type Identification	5
2	Removing the Existing Differential	6
2.1	Vehicle Support	6
2.2	Differential Fluid Drain	6
2.3	Disconnecting the Axles	7
2.4	Marking the Bearing Caps	8
2.5	Checking the Current Backlash Amount	8
2.6	Removing the Differential Center	11
3	Installing the Air Locker	12
3.1	Re-Mounting the Ring Gear	12
3.2	Drilling and Tapping the Bulkhead Port	13
3.3	Profiling the Seal Housing Tube (A)	15
3.4	Assembling the Seal Housing	17
3.5	Installing the Carrier Bearings	19
3.6	Final Air Locker Assembly	20
3.7	Profiling the Seal Housing Tube (B)	22
3.8	Checking the Backlash	23
3.9	Setting Up the Bulkhead Fitting	23
3.10	Reinstalling Differential and Axles	25
4	Installing the Air System	26
4.1	Mounting the Solenoid	26
4.2	Running & Securing the Air Line	28
4.3	Connection to the Bulkhead Fitting	29
5	Mounting & Connecting the Electrical System	31
5.1	Mounting the Actuator Switch(es)	31
5.2	Wiring the Actuator System	32
6	Testing & Final Assembly	36
6.1	Leak Testing	36
6.2	Testing the Air Locker Actuation	37
6.3	Re-Sealing & Filling the Differential	37
6.4	Post-Installation Check List	38
7	Parts List	39
7.1	Exploded Assembly Diagram	39
7.2	Specifications	39
7.3	Itemized Parts List	40



1 Introduction

IMPORTANT :

BEFORE ATTEMPTING TO DISMANTLE YOUR VEHICLE FOR THIS INSTALLATION, PLEASE READ THIS INSTALLATION GUIDE IN ITS ENTIRETY, AS WELL AS ALL APPLICABLE SECTIONS OF YOUR VEHICLE MANUFACTURER'S SERVICE MANUAL.

1.1 Pre-Installation Preparation

This booklet is to be used in conjunction with your vehicle manufacturer's service manual. ARB endeavors to account for every possible variation in vehicle model when publishing its installation guides, and guides are updated regularly as new model information becomes available, however, the rapid and globally varied release of some vehicles makes it difficult to insure that your vehicle model has been accurately accounted for. In the case of any technical discrepancies between this guide and your service manual, we strongly advise that you adhere to the specifications and techniques as documented in your service manual.

Although your *ARB Air Locker* comes complete with all the step by step instructions you will need to supplement your vehicle manufacturer's service manual and install your new differential, ARB recommends that you have your *Air Locker* installed by a trained professional. Many ARB distributors around the world have been fully instructed in *Air Locker* installations by ARB, and have gained a wealth of experience and skill from years of performing similar installations.

Once you begin this installation your vehicle will be immobile until all steps of the installation are complete. Make sure your *Air Locker* kit is the correct model for your vehicle and that it contains all of the parts listed on back cover of this booklet. Also be sure you have appropriately equipped yourself with all the necessary tools, parts, and materials to complete this installation (see section 1.2 *Tool-Kit Recommendations*), and that you have allowed for an appropriate amount of vehicle down time.

HINT :

Place a ✓ mark inside each of the symbols as you complete each step. It is very important NOT to miss any of the steps!

1 Introduction

1.2 Tool-Kit Recommendations

Below is a list of tools and supplies you may need to complete this installation. Requirements for your vehicle may vary. Please consult your vehicle service manual for additional recommendations.

1.2.1 Tools

- Standard automotive sizes (metric and/or imperial) of sockets, wrenches, Alan keys, and drills.
- A dial indicator or other suitable measuring tool for checking ring & pinion backlash.
- An adjuster-nut wrench. (See your vehicle service manual.)
- A razor knife to cut the nylon tubing.
- A torque wrench. (See vehicle service manual for required torque range.)
- A lubricant drain reservoir.
- A 11.2mm [7/16"] drill and ¼" NPT tap for bulkhead fitting installation.
- An automotive bearing puller (e.g., ARB Bearing Puller #0770001) or a differential carrier bearing puller.
- A bearing press or arbor press.
- Automotive brake line tubing cutter.
- A soft hammer (e.g., Copper/Rawhide/Nylon).

1.2.2 Supplies

- Thread lubricant/sealant compound for pressure fittings (e.g., LOCTITE #567 Teflon paste)
- Thread locking compound (e.g., LOCTITE #272)
- Either a replacement gasket, or gasket sealant, for your differential cover.
- A sufficient volume of differential oil to completely refill your housing. (see the *ARB Air Locker Operating and Service Manual* for recommended lubricants)
- A soap and water mixture to test for air leaks.

1 Introduction

1.3 Assembly Type Identification

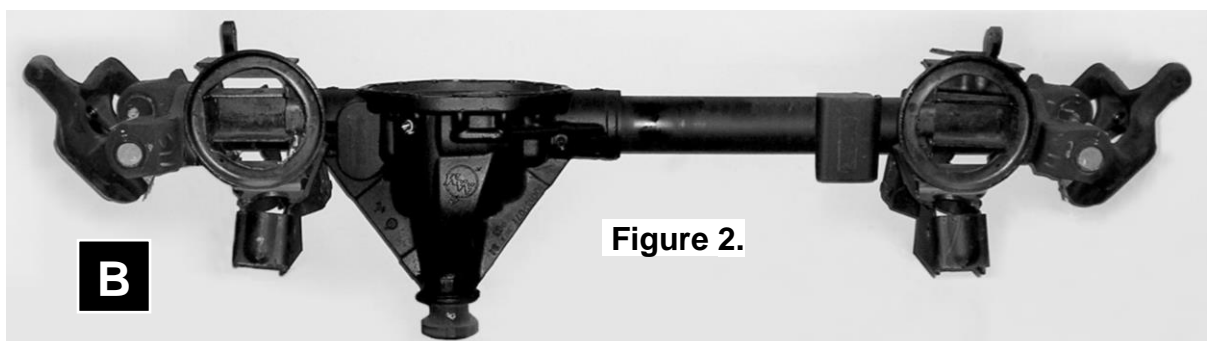
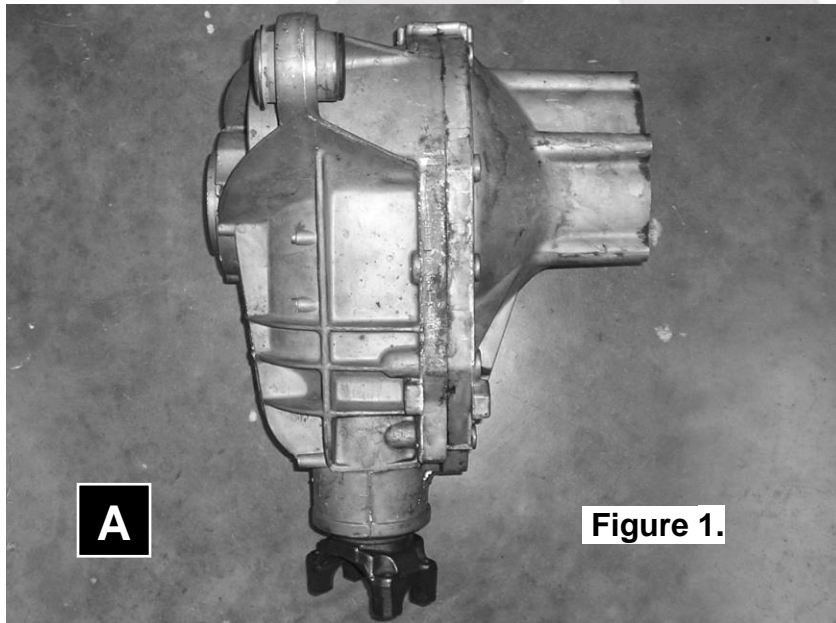
IMPORTANT:

Sections 2 and 3 of this installation guide have been written to accommodate two different application installations:

- A** the Independent Front Suspension (IFS) type with an aluminum clamshell housing (Refer to Fig.1.)
- B** the live axle Salisbury type with a cast iron housing. (Refer to Fig.2.)

To eliminate confusion, you should identify which figure your vehicle matches with. The section numbers within the guide that refer ONLY to the IFS type have been suffixed with an '**A**', and those that refer ONLY to the live axle type have been suffixed with a '**B**'.

PLEASE IGNORE ALL SECTIONS WHICH DO NOT APPLY TO YOUR APPLICATION



2 Removing the Existing Differential

2.1 Vehicle Support

- Safely secure the vehicle on a hoist. We recommend supporting the vehicle on a chassis hoist to keep the differential area at a convenient working height and to leave the wheels and axles free to be rotated and removed.
- Once supported off the ground, release the parking brake and leave the vehicle in neutral. Chock the wheels if necessary.

2.2 Differential Fluid Drain

HINT : This is a good time to check for metal particles in your oil, on your drain plug, or in the bottom of the housing, which may indicate a worn bearing or differential component.

2.2.1 **A** IFS Fluid Drain

- Remove any skid plates covering the bottom of the front axle area and position a fluid drain reservoir under the differential.
- Remove the threaded drain plug and completely drain all differential oil from the housing.
- Finger-tighten the drain plug back in to prevent drips during the removal of the axle assembly.

2.2.2 **B** Live Axle Fluid Drain

- Clean around the differential cover plate seal to prevent dirt from entering the differential.
- Position a fluid drain reservoir under the differential and loosen all differential cover plate retaining bolts.
- Gently pry the cover plate away from the differential housing to completely drain all differential fluid.
- Once drained, remove the differential cover plate.

HINT : It would be a good idea to drill and tap for a tapered oil drain plug to assist with future oil changes.

2 Removing the Existing Differential

2.3 Disconnecting the Axles

NOTE : The oil seals are delicate and can be easily damaged. Support the weight of the axle shafts when drawing them out of their sockets in the housing.

2.3.1 **A** IFS CV Shafts

- Remove the stub axles from the differential housing according to your vehicle manufacturer's service manual.
- Disconnect the drive shaft from the pinion flange.
- Completely remove the differential assembly from the vehicle.

2.3.2 **B** Live Axle Shafts

IMPORTANT :

Collision damage or heavy off-road use of your vehicle in the past may have resulted in some degree of bending in the axle. Any misalignment of the axle tubes may result in excessive wear and/or failure of your differential and axle shafts. ARB strongly recommends that you have your axle assembly inspected for concentricity and straightness before installing your *Air Locker*.

- Remove the wheels, and brakes according to your vehicle manufacturer's service manual.
- Unbolt the four bolts retaining the hub and withdraw the axle shafts.

2 Removing the Existing Differential

2.4 B Marking the Bearing Caps

- Using a pointed center punch, gently mark the bearing caps in a way that will enable you to know which cap is 'LEFT' and which cap is 'RIGHT', which way is 'UP' and which way is 'DOWN'. (Fig.3.)

HINT : Many installers choose to make one punch mark on the left hand side of the left hand bearing cap and one similar punch mark on the housing at close proximity to the cap mark. The right hand side is then designated with two punch marks on the right hand side of the cap and two similar punch marks on the housing.



Figure 3.

2.5 Checking the Current Backlash Amount

IMPORTANT:

This step is a precautionary measure recommended by ARB due to the fact that some after market ring and pinion sets have been manufactured to run with different backlash settings than those specified by your vehicle manufacturer. Although ARB must recommend you set backlash according to your service manual guidelines, we also advise that you compare the backlash measurements taken here to the recommended backlash settings in your vehicle service manual. Measurements found to be outside of your service manual recommendations may indicate the need to deviate from those settings in order to achieve quiet running with a good contact mark.

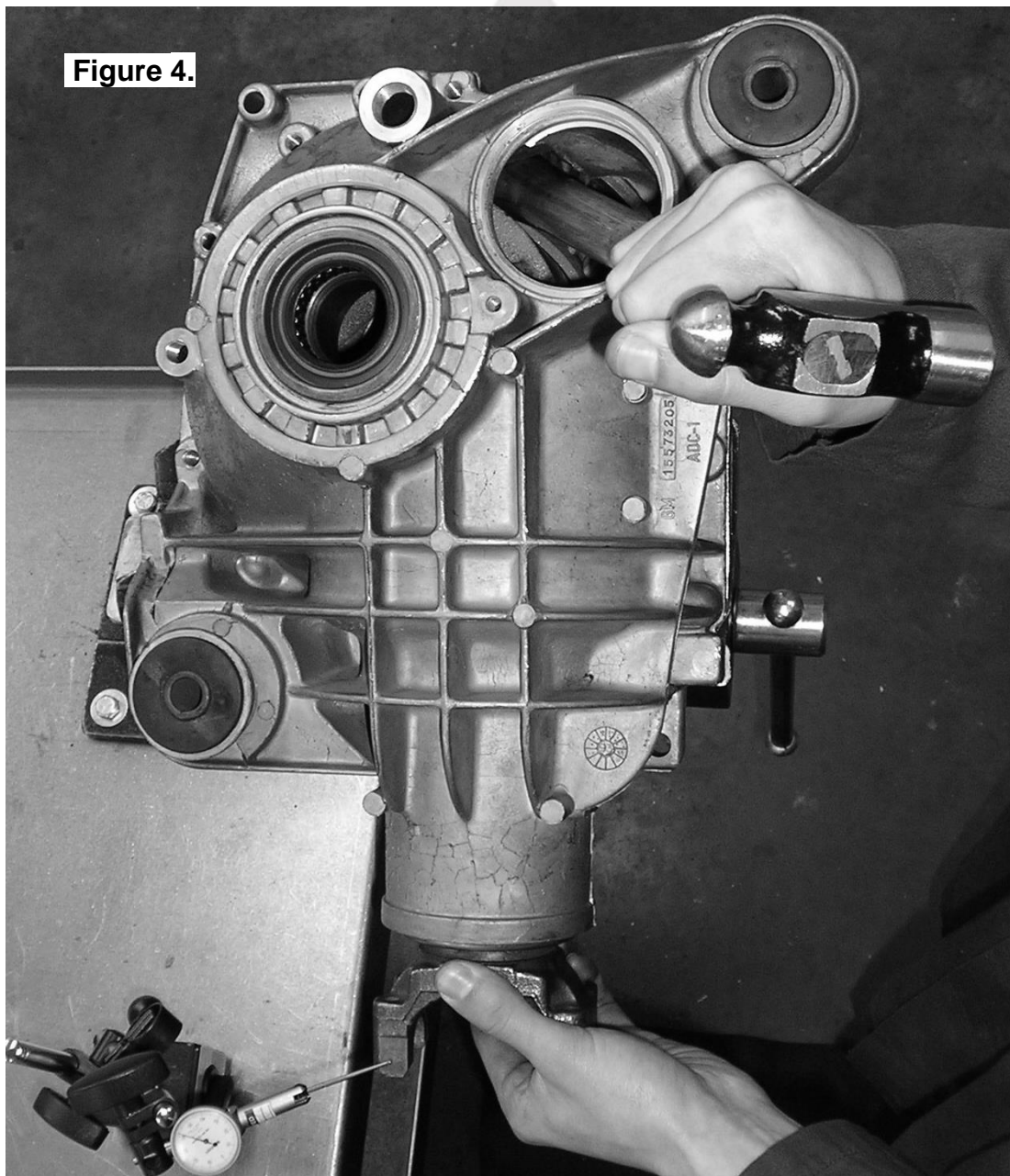
Refer to your vehicle service manual or your local authorized ARB installer for more information.

2 Removing the Existing Differential

2.5.1 A Backlash Measurement of IFS Clamshell

NOTE : Because access to the ring gear is difficult in the clamshell housing, the following alternative method for measuring backlash has been provided.

- Firmly clamp the differential housing in a vice or to a workbench.
- Set up a depth indicator with a magnet base on the vice or bench and position the indicator tip on the machined flat of the pinion yoke as shown in figure 4.
- Remove the breather to allow a hammer handle or other suitable device to be jammed against the ring gear teeth to prevent the differential center from rotating. (Fig.4.)



2 Removing the Existing Differential

- With the hammer handle preventing the differential from rotating, rotate the pinion yoke in both directions while observing the maximum variation in depth from the indicator (i.e., the highest value minus the lowest value). This value will be comparable to the ring and pinion backlash and provide an accurate method for setting up the backlash once the *Air Locker* is installed.
- Rotate the differential center 90° and measure again for accuracy.
- Record the average of all measurements.

2.5.2 B Backlash Measurement of Live Axle

- Set a depth indicator on one of the ring gear teeth as in Figure 5.

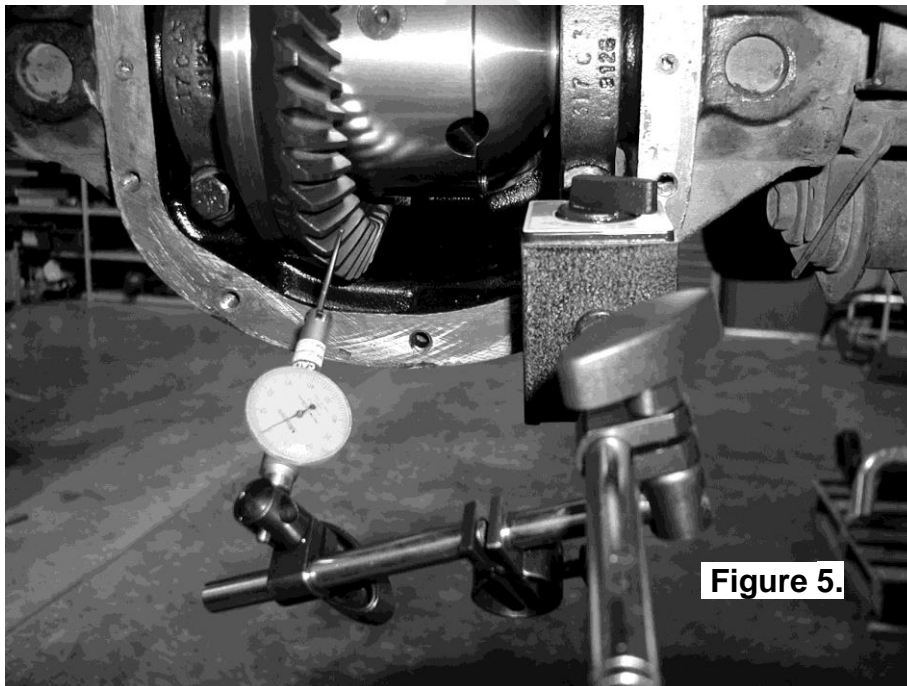


Figure 5.

- While supporting the pinion gear by holding the drive shaft flange, rotate the differential in both directions while observing the maximum variation in depth from the indicator (i.e., the highest value minus the lowest value). This value is referred to as the ring and pinion backlash.
- Rotate the differential center 90° and measure again for accuracy.
- Record the average of all measurements.

2 Removing the Existing Differential

2.6 Removing the Differential Center

2.6.1 **A** IFS Clamshell Differential Center Removal

- Remove all bolts from around the outside of the clamshell.
- Gently pry the clamshell apart and remove the differential center.

NOTE : The differential center is heavy and quite difficult to handle when covered in oil. Take care not to drop it.

2.6.2 **B** Live Axle Differential Center Removal

- Remove both adjuster nut locking tabs.
- Loosen both bearing caps.
- Loosen the adjuster nuts enough to remove the differential center.
- Remove the bearing caps and tapered roller bearing cups.

HINT : Be sure not to mix up the bearing cups. Later it will be necessary to match the bearing cups to their cones.

- Carefully remove the differential center.

NOTE : The differential center is heavy and quite difficult to handle when covered in oil. Take care not to drop it.

3 Installing the Air Locker

3.1 Re-Mounting the Ring Gear

- Remove the bolts that hold the ring gear in place.

NOTE : AAM 925 & 950 ring gear bolts are usually left hand threaded.

- Using a plastic or copper hammer, tap in a circle around the ring gear to separate it from the original differential carrier.
- Apply a thin film of high-pressure grease to the ring gear shoulder of the *Air Locker* to prevent seizing.
- Thoroughly clean any thread locking compound or other foreign matter from the holes of the ring gear, the threads of the ring gear bolts, and the mating surfaces between the ring gear and the *Air Locker* flange.

HINT : Stoning the ring gear mounting face before installation will remove any high spots around the threads.

- Heat the ring gear to between 80 and 100°C [175 - 212°F] in hot water or in an oven to slightly expand the gear and facilitate assembly.

NOTE : NEVER HEAT GEARS WITH A FLAME! This could damage the hardened surface of the gear and result in premature wear or failure.

- Dry the gear and bolt holes with compressed air (if wet).
- Install the ring gear onto the *Air Locker* by aligning the bolt holes and then gently tapping it around in a circle with a soft mallet. Avoid using the bolts to pull down the ring gear as this puts excess strain on the bolts and the differential flange.
- Apply a thread locking compound to the thread of each ring gear bolt before inserting it. Do not apply threading compound directly into the threaded hole as this could prevent the bolt from reaching its full depth.
- Tighten the ring gear bolts in a star pattern with a torque wrench according to your vehicle manufacturer's specified torque.

3 Installing the Air Locker

3.2 Drilling and Tapping the Bulkhead Port

An airline port must be drilled and tapped through the differential housing to mount the bulkhead fitting into.

3.2.1 A Port Location on the IFS Clamshell Housing

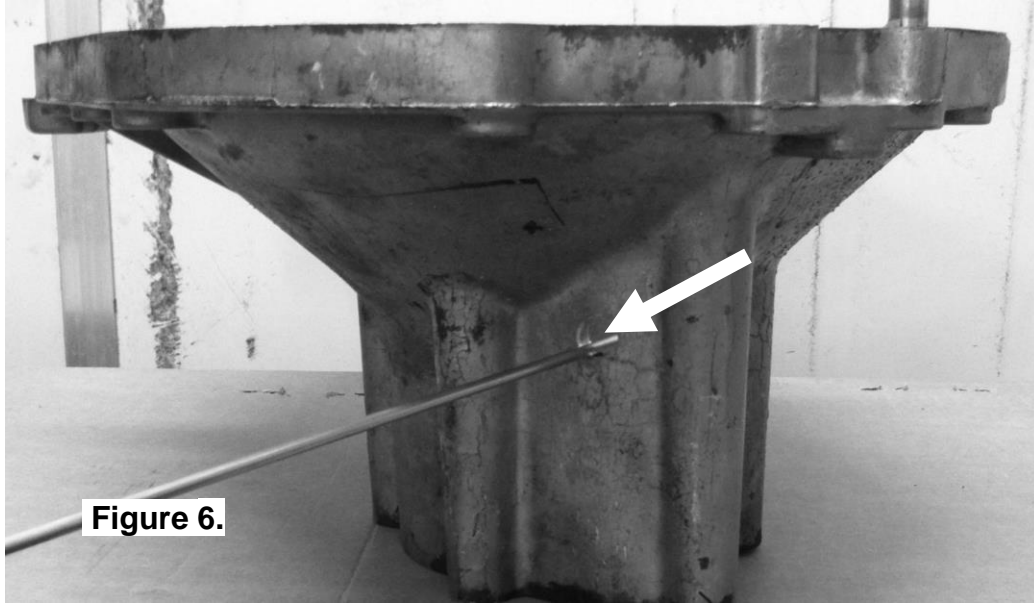


Figure 6.

- On the non-pinion side of the clamshell, cover the bearing area with a rag to protect from metal filings.
- Drill through the housing square to the outside surface using a 11.2mm [7/16"] drill in the position shown in Figure 6.

NOTE : When viewed from inside the housing the bulkhead port position must be as shown in Figure 7.

- Tap the hole from the outside using a 1/4" NPT pipe tap.
- Remove any sharp edges from the hole that may chip-off and fall into the housing.
- Carefully remove the rags and inspect with a service light inside the housing to insure no drill filings are left behind.

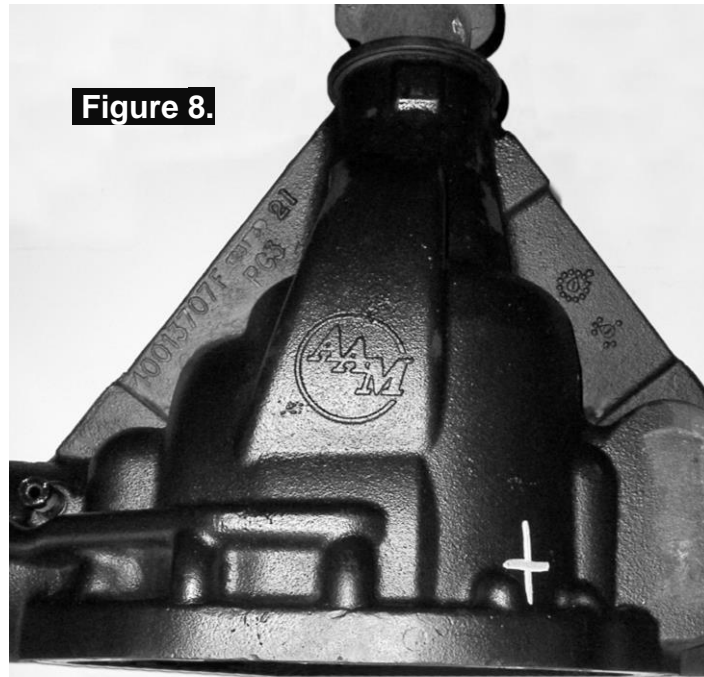


Figure 7.

3 Installing the Air Locker

3.2.2 B Port Location on the Live Axle Housing

- Mark a spot on the top of the outside shell of the differential housing as shown in Figure 8.



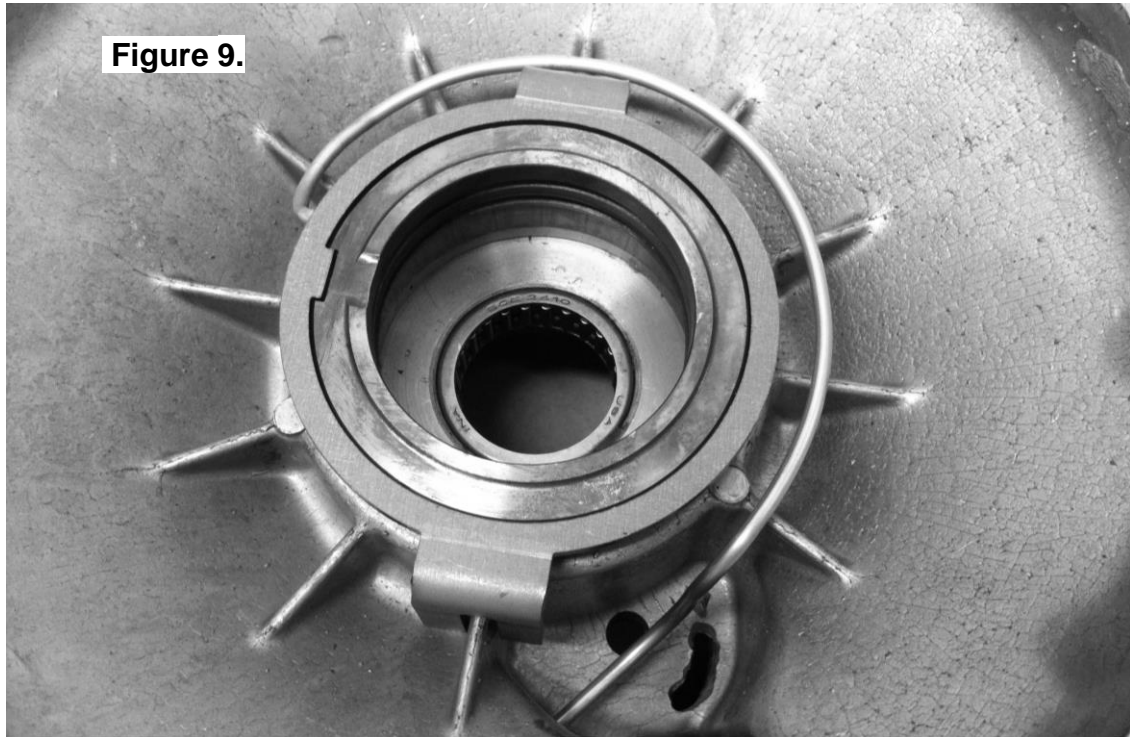
- Cover the drive pinion and axle tube areas with a rag to protect them from metal filings.
- Drill through the housing square to the outside surface using a 11.2mm [7/16"] drill.
- Tap the hole from the outside using a 1/4" NPT pipe tap.
- Remove any sharp edges from the hole that may chip-off and fall into the housing.
- Carefully remove the rags and inspect with a service light inside the housing to insure no metal filings are left behind.

3 Installing the Air Locker

3.3 A Profiling the Seal Housing Tube

The seal housing tube needs to be bent into a profile that will allow it to clear the *Air Locker* and the differential housing, and exit through the bulkhead port.

- Bend the tube to the profile shown in Figures 9. & 10.



3 Installing the Air Locker



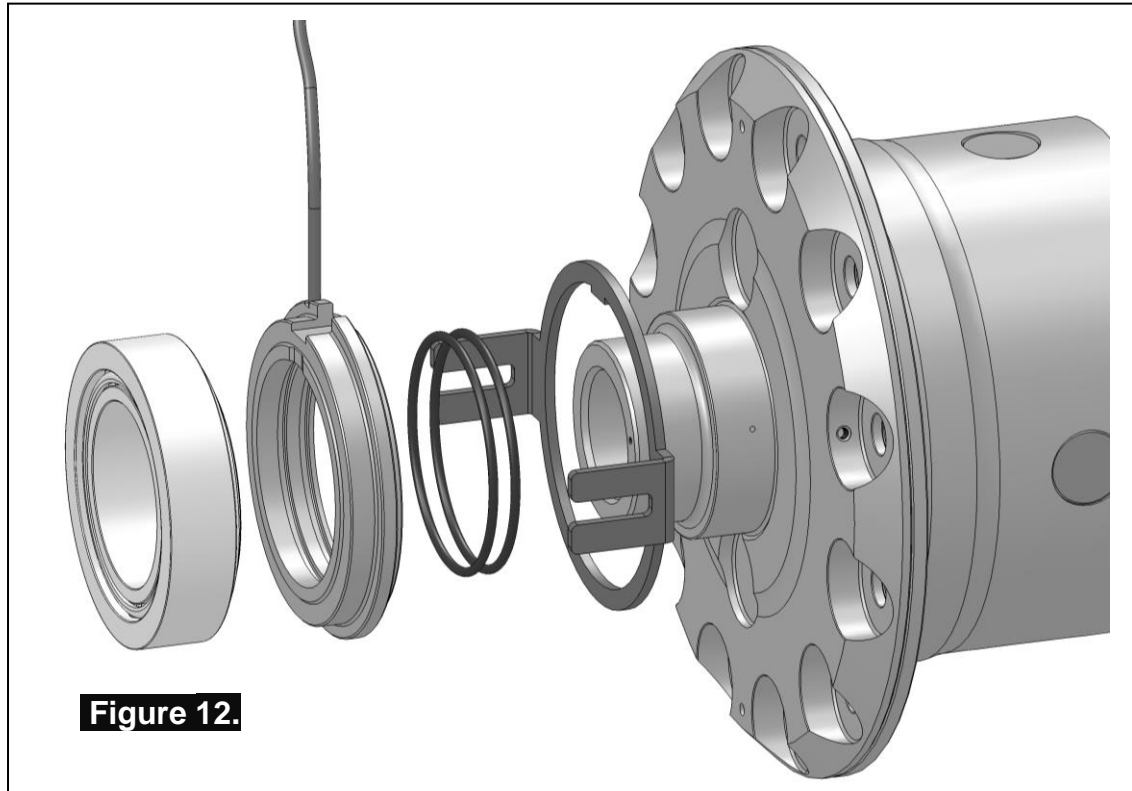
- Trial fit the seal housing to the clamshell as shown in Figure 9.
- Mark the tube approximately 8-10mm out from the edge of the housing (Figure 11.).
- Remove the seal housing from the differential housing and trim the tube to length.

NOTE : Figure 10. shows a housing that has been saw-cut in half. This has been done for illustration purposes so that the seal housing tube profile and seal housing bracket can be seen in position.

3 Installing the Air Locker

3.4 Assembling the Seal Housing

3.4.1 A IFS Clamshell Seal Housing Assembly



- Make sure the grooves and airway of the seal housing are clean and free from any contaminants (e.g. water, dirt, metal filings, etc.).
- Inspect the seal housing O-rings (supplied) for dirt, damage or other conditions which might cause leaks.
- Generously lubricate the O-rings with oil prior to assembly, then insert them into the grooves of the seal housing.

NOTE : When assembling the O-rings, be careful not to leave them twisted when seated in the grooves as this could cause excessive wear and leakage.

- Lubricate the seal housing running surface on the *Air Locker* carrier with oil.
- Assemble the seal housing retaining bracket onto the short spigot of the seal housing, so that it will be held captive between the flange cap and seal housing (as shown in Fig. 6).
- Carefully install the seal housing and retaining bracket by sliding them all of the way onto the bearing journal with a gentle twisting motion. This will allow the O-rings to engage gently.

3 Installing the Air Locker

3.4.2 B Live Axle Seal Housing Assembly

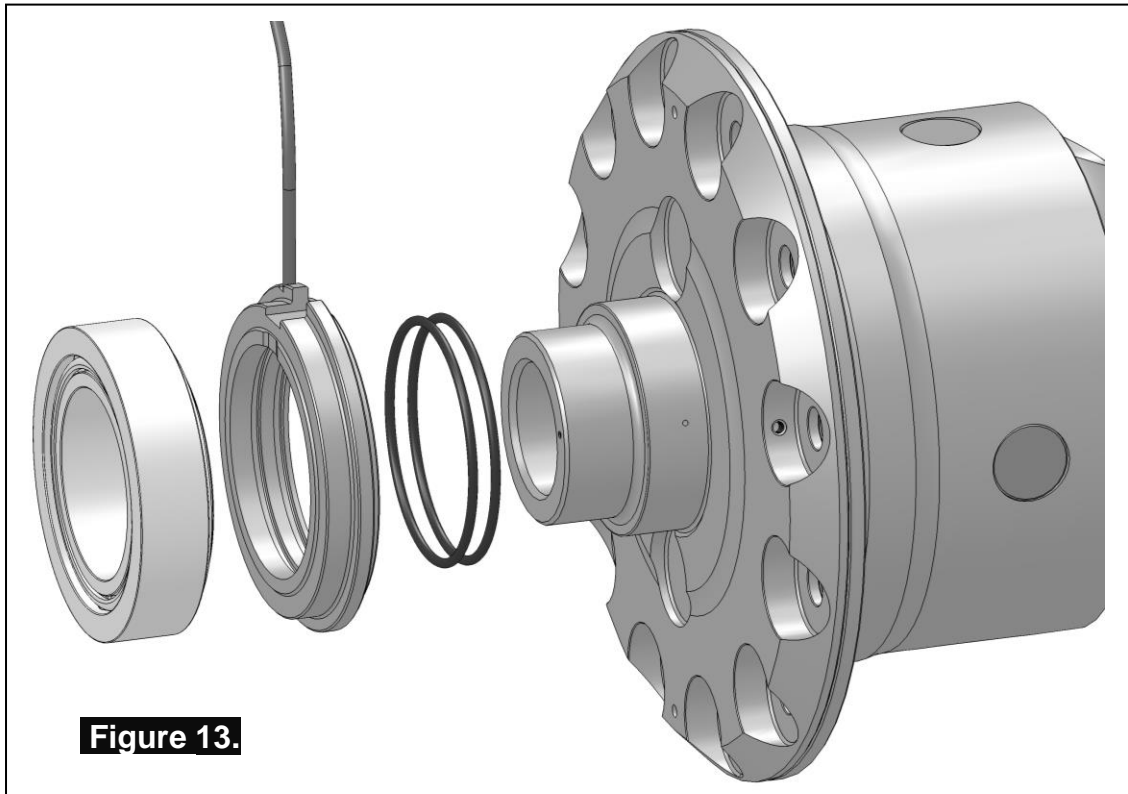


Figure 13.

- Make sure the grooves and airway of the seal housing are clean and free from any contaminants (e.g. water, dirt, metal filings, etc.).
- Inspect the seal housing O-rings (supplied) for dirt, damage or other conditions which might cause leaks.
- Generously lubricate the O-rings with oil prior to assembly, then insert them into the grooves of the seal housing.

NOTE : When assembling the O-rings, be careful not to leave them twisted when seated in the grooves as this could cause excessive wear and leakage.

- Lubricate the seal housing running surface on the *Air Locker* carrier with oil.
- Carefully install the seal housing by sliding it all of the way onto the bearing journal with a gentle twisting motion. This will allow the O-rings to engage gently.

NOTE : Make sure the orientation of the seal housing is as shown in Figure 13., with the seal housing flange closest to the flange cap.

3 Installing the Air Locker

3.5 Installing the Carrier Bearings

- If the tapered roller bearings from the original differential carrier are to be reused, then remove them with an automotive bearing puller and inspect them for damage and/or wear and replace them if necessary.
- Apply a thin film of high-pressure grease to both bearing journals of the *Air Locker* to prevent seizing.
- Using a bearing press or arbor press, press one of the bearing cones onto one bearing journal of the *Air Locker* (refer to figure 14.) until the bearing seats firmly against the bearing journal shoulder.

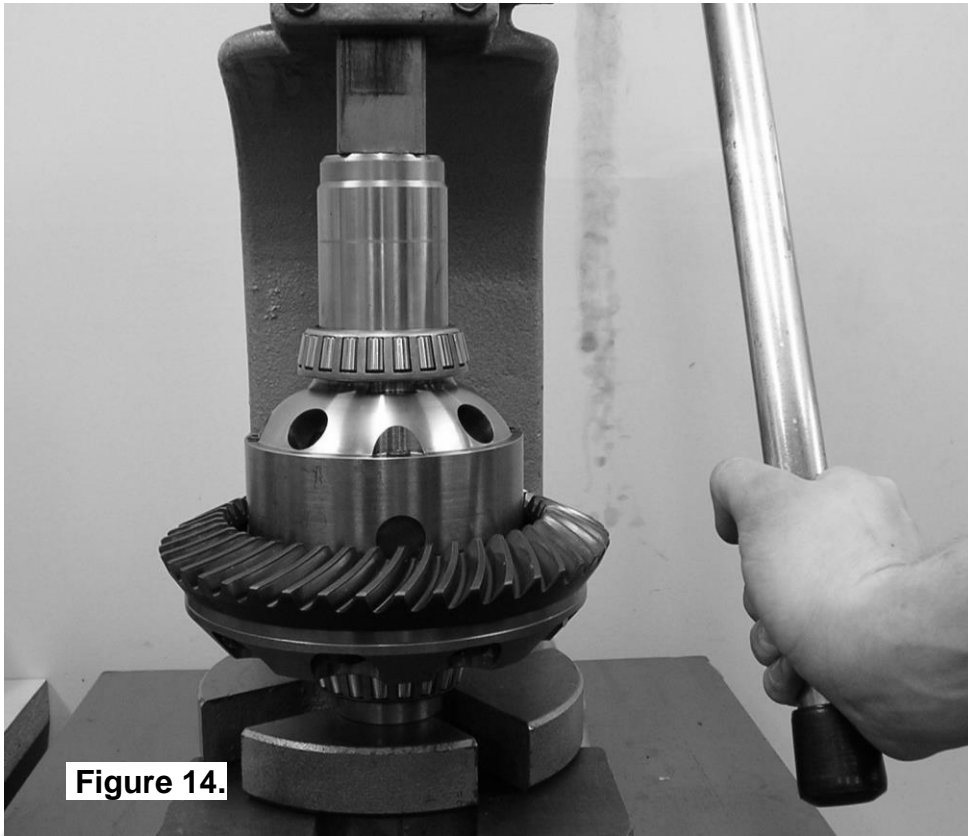


Figure 14.

- Invert the *Air Locker* and press the other tapered roller bearing cone onto the opposite bearing journal of the differential carrier until the bearing seats firmly against the bearing journal shoulder.

3 Installing the Air Locker

3.6 Final Air Locker Assembly

3.6.1 **A** Assembly into IFS Clamshell Housing

- Place the *Air Locker* on a bench with the seal housing side on top.
- Assemble the non-pinion side of the clamshell onto the *Air Locker* ensuring that the seal housing tube goes through the bulkhead fitting, and that the seal housing bracket lines up with the ribs in the clamshell (Figure 15.)

NOTE : Image shown is of a housing that has been saw-cut in half. This has been done for illustration purposes so that the seal housing tube profile and seal housing bracket can be seen in position.

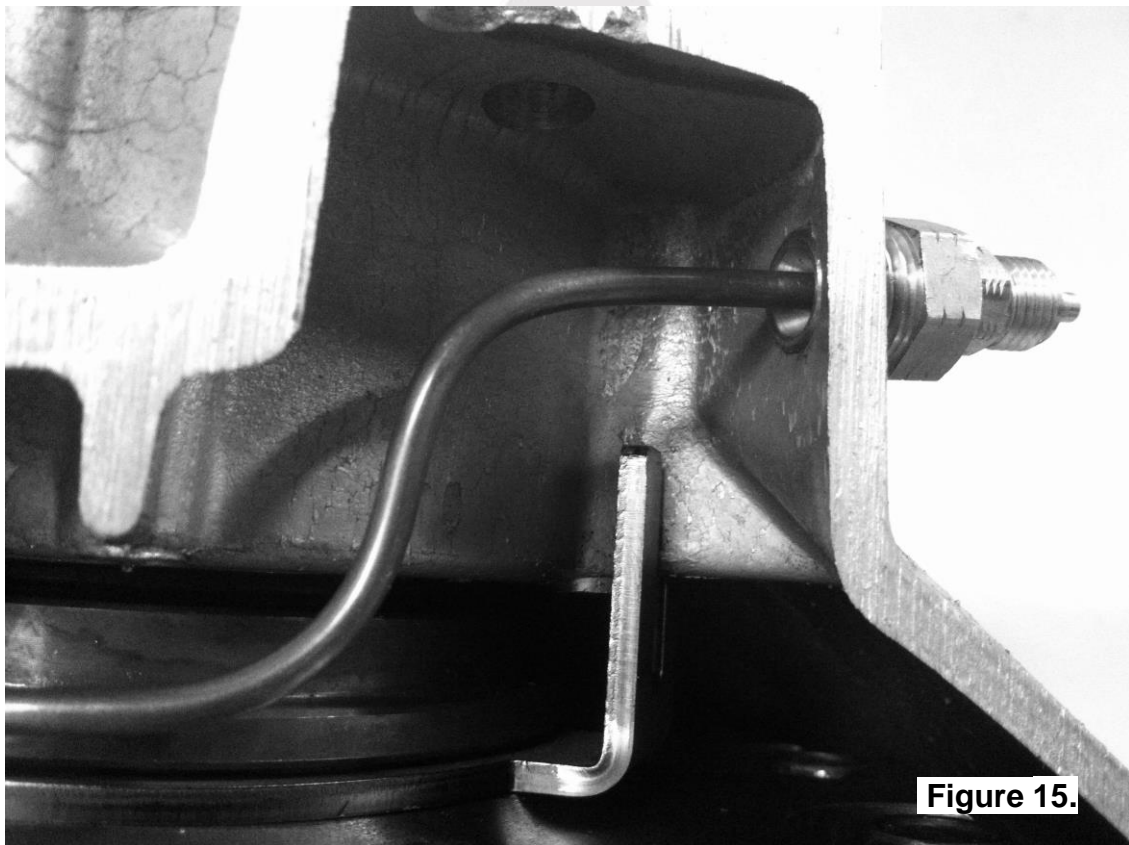


Figure 15.

- Turn the diff and housing over and assemble the pinion side of the clamshell making sure you apply an appropriate gasket or sealant between the two halves of the clamshell.
- Tighten all of the bolts to the torque specified in your vehicle service manual. Make sure that both adjuster nuts are hand tight.

3 Installing the Air Locker

3.6.2 B Assembly into Live Axle

- Reinstall the *Air Locker* into the axle housing.
- Leaving the bolts out at this stage, install the bearing caps orientated as they were marked before they were removed.
- Rotate the seal housing so that the slot is pointing straight out of the axle opening. Then install the supplied seal housing bracket with the tab locating in the seal housing slot as shown in Figure 16.

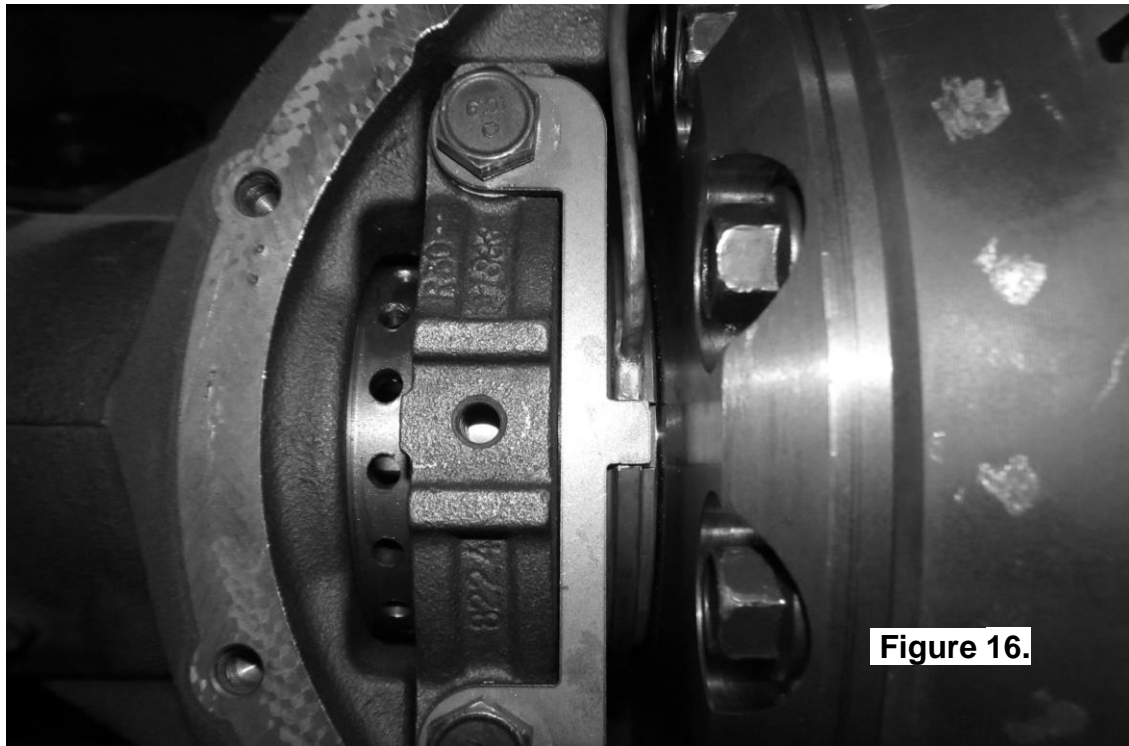


Figure 16.

- Insert the bearing cap bolts and finger tighten. It is not necessary to torque them down at this time.
- Using the appropriate adjuster nut wrench, lightly hand tighten the seal housing side adjuster nut.

NOTE : You should feel no backlash between the ring and pinion gears once the adjuster nut tightens.

- Reverse the adjuster nut (counterclockwise) $\frac{1}{4}$ turn.
- Using the adjuster nut wrench, hand tighten the opposite adjuster nut.

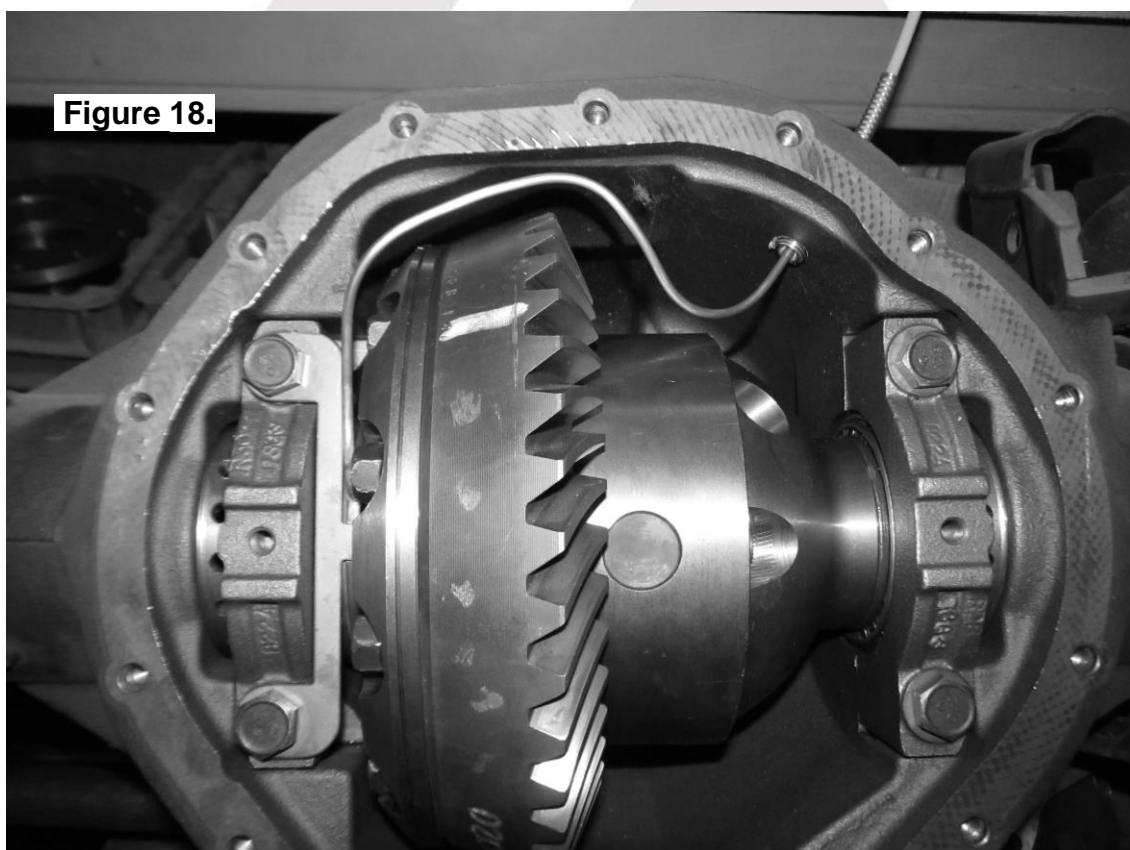
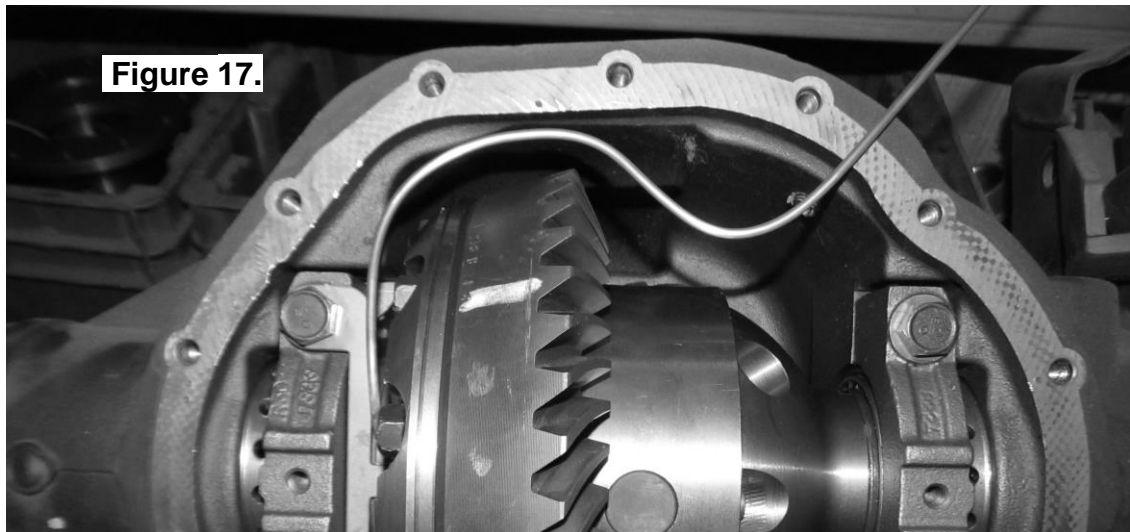
NOTE : You should now feel some backlash between the ring and pinion gears.

3 Installing the Air Locker

3.7 B Profiling the Seal Housing Tube

- Without using sharp jagged tools such as pliers (your hands are the best tool for this job) gently bend the seal housing tube in a shape that will clear the differential and housing, and exit through the bulkhead port as shown in Figure 17.
- Trim the tube to length using an automotive brake line tube cutter.

NOTE : Never use a hacksaw to cut the seal housing tube as this will leave metal filings in the air system.



3 Installing the Air Locker

- Gently bend the seal housing tube into a profile that protrudes through the bulkhead port and doesn't pull at all on the seal housing. (see Fig.18.)

NOTE : Ensure there is clearance between the seal housing tube, *Air Locker*, seal housing bracket and cover plate.

3.8 Checking the Backlash

- Set up a depth indicator and measure the backlash as detailed in section 2.5.1 or 2.5.2.
- Refer to your vehicle service manual for the specified maximum and minimum amounts of backlash.

IMPORTANT :

It is critical to set up bearing pre-load when a differential is installed. Improper pre-load will result in undue bearing wear, increased stresses in the differential carrier, increased running noise and ultimately, ring and pinion gear damage.

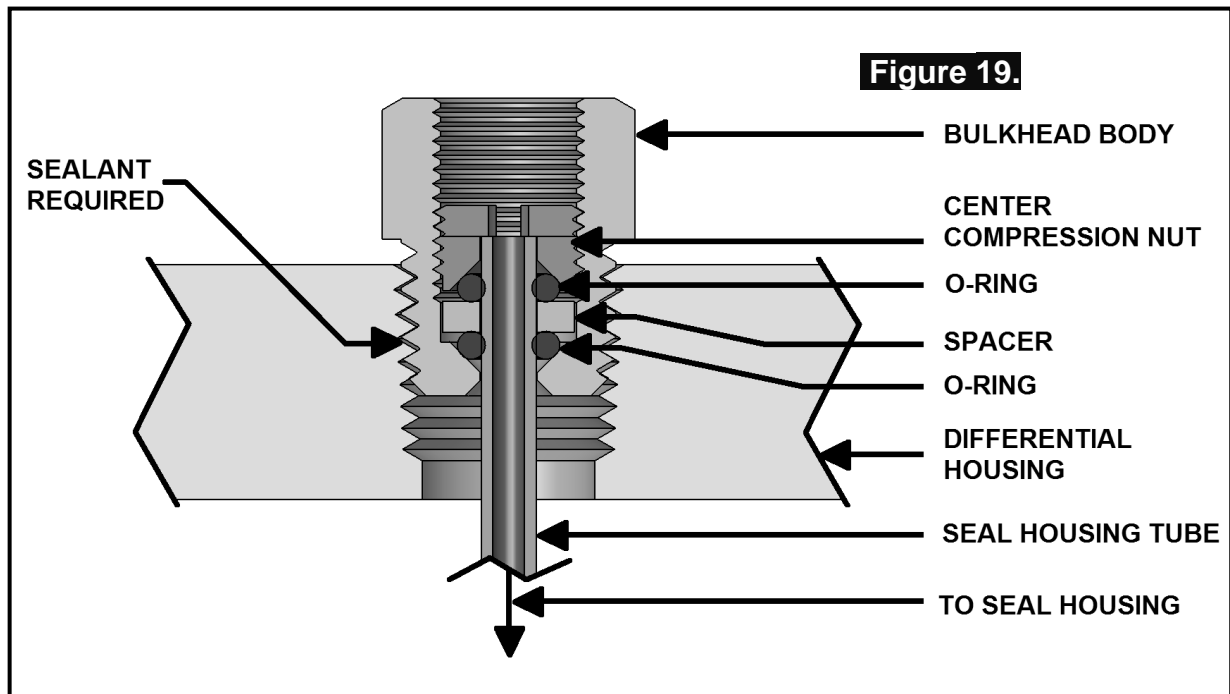
- Adjust the backlash and pre-load using an adjuster nut wrench to tighten or loosen the adjuster nuts as required. (Refer to your vehicle service manual.)
- Recheck backlash as before, repeating this procedure until backlash is within the specified amount.
- Reinstall the adjuster nut locking tabs.
- A** On the "Clamshell" replace the breather.
- B** On the "Live Axle" tighten all bearing cap bolts with a torque wrench to the torque specified in your vehicle manufacturer's service manual.

3.9 Setting Up the Bulkhead Fitting

- Apply thread sealant to the outside threads of the bulkhead body.
- Screw the bulkhead body into the tapped hole, and lightly tighten using a 14mm [9/16"] spanner.
- Wipe the area clean of any excess thread sealant (inside and outside of the housing).
- Insert the free end of the seal housing tube into the bulkhead fitting until it protrudes approximately 8mm [5/16"] through the other side.

3 Installing the Air Locker

- From the outside of the housing, assemble one of the small O-rings over the top of the short length of seal housing tube protruding through the bulkhead fitting.
- Install the brass spacer.
- Install the second small O-ring after the spacer.
- While holding the seal housing tube into the bulkhead fitting, insert the chamfered end of the center compression nut over the extended tube as shown in the assembly diagram (Fig. 19.), and screw it into the bulkhead body, and tighten using Pozidriv #3 screwdriver.



NOTE : Make sure the seal housing tube is all of the way into the center compression nut while you are tightening it.

NOTE : Firmly tighten the center compression nut so that a good seal is formed around the tube.

3 Installing the Air Locker

3.10 Reinstalling Differential and Axles

3.10.1 **A** Reinstalling IFS Housing

- Reinstall the differential housing into the vehicle.
- Reconnect the drive shaft to the pinion flange.
- Reassemble the stub axles and remaining components according to your vehicle manufacturer's service manual.

3.10.2 **B** Reinstalling Axles

- Reinstall the axles and torque down the axle bolts according to the manufacturer's specification.
- Reassemble the remainder of the differential assembly (e.g., hubs, brakes, wheels, etc.) to the vehicle according to your vehicle's service manual.

NOTE : Be careful not to damage the axle oil seals with the spline of the axle.

4 Installing the Air System

4.1 Mounting the Solenoid

4.1.1 Connection to an ARB Air Compressor (Fig.20.)

- Remove one of the 1/8" BSP plugs from its port in the compressor tank.
- Apply Teflon paste to the 1/8" BSP nipple on the solenoid and insert it into the port and tighten. The solenoid should be rotated into a position which does not obstruct any other ports on the compressor tank.

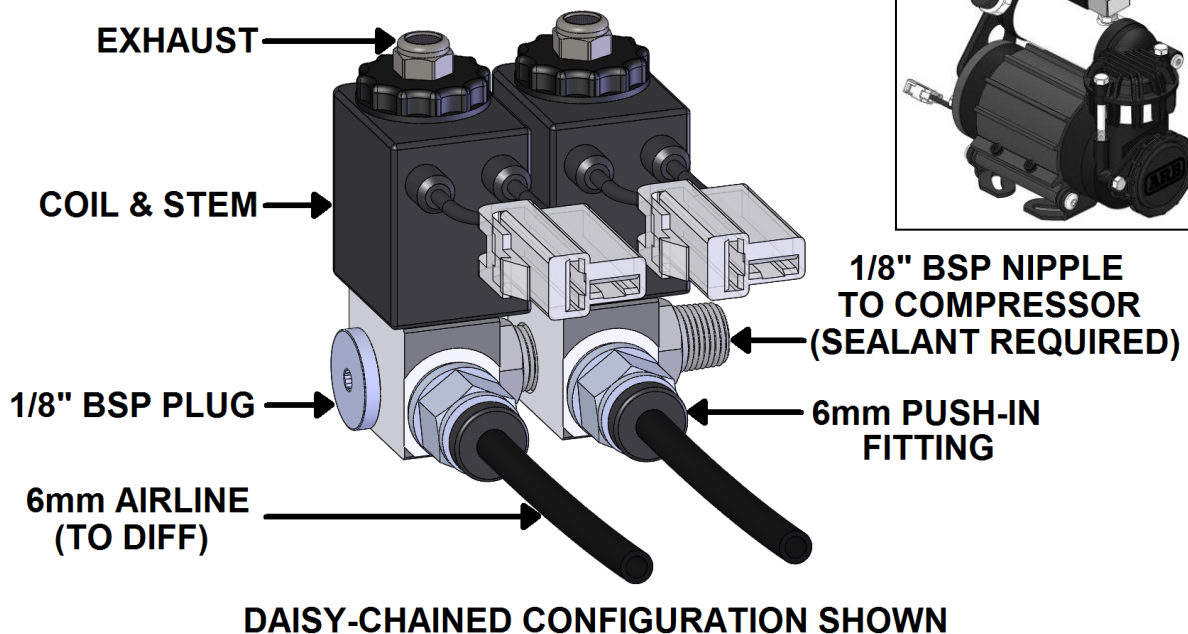
NOTE : The coil and stem of the solenoid can be removed to make installation easier.

NOTE : The solenoid is marked with two #1 ports. If space is tight, a second solenoid can be "daisy-chained" off the first one by removing the plug from the redundant #1 port and screwing the nipple from the second solenoid into it (Fig. 20.).

NOTE : The solenoid exhausts compressed air through the center of the black retaining cap when the *Air Locker* is disengaged. Make sure this orifice cannot be obstructed.

- Assemble the 6mm push-in fitting into the solenoid outlet port (stamped "2") and hand tighten.

Figure 20.



4 Installing the Air System

4.1.2 Connection to an Alternate Air Source

For ease of installation, quality of air supply, and a high level of dependability from your *Air Locker(s)*, ARB strongly recommends use of a genuine ARB Air Compressor, however, the *Air Locker* air system can be operated on any alternate air source that meets each of the following guidelines:

- Must supply a minimum of 85PSI [586kPa].
- The Air source should have a tank capacity that enables it to actuate the *Air Locker(s)* in one charge so that no hesitation is experienced when locking one or two differentials.

HINT : A good way to insure that you have the necessary capacity is to make sure you can engage, disengage, and then reengage your *Air Locker(s)* without the air source having to regenerate (e.g., without the compressor turning on to refill the tank).

- Must supply clean air, free of rust, dirt, water, or other foreign matter.
- Must match the 1/8" BSP porting of the *Air Locker* solenoid.
- Mount solenoid within close proximity of the air supply and secure it from the effects of vibration and shock.
- Connect the air supply to the 1/8" BSP inlet port of the solenoid (stamped "1" on the solenoid body) using thread sealant.

IMPORTANT :

ARB cannot warrant your *Air Locker(s)* against damage caused as a result of using an alternate air supply. If you have any doubts as to the suitability of your air system to use in an *Air Locker* system, consult your ARB distributor.

4 Installing the Air System

4.2 Running and Securing the Air Line

The path taken by the air line from your air source (i.e., compressor) to your *Air Locker* is unique to your vehicle and the position of your air source. Plan ahead carefully when running the air line and always follow these guidelines:

- Account for axle travel when running the line from the axle to a fixed point on the vehicle. Leave enough slack in the air line to allow for maximum suspension travel in both directions.
(Not necessary on IFS installations)
- Avoid leaving large lengths of air line hanging underneath the vehicle where they may get tangled on rocks, sticks, etc.

HINT : **Cable tying the air line to one of your flexible brake lines will account for axle travel and should help keep your line from getting snagged.**

- Run the air line all the way from the compressor to the differential before trimming either end of the line to length. This will save complications that may arise if the air line has to be removed.
- Make sure the line does not contact sharp edges or abrasive surfaces that may damage the air line over time.
- Do not run the air line around tight bends which may kink the air line and restrict or block the air flow.
- Keep the air line well away from your vehicle's exhaust components. Air lines will melt if subjected to extreme heat.
- Do not run more air line than necessary. Excess line volume created when coiling the left over hose, using unusually large diameter hose, etc., will increase drain on the compressor tank resulting in the compressor running more often than needed.
- Support the air line by tying it back with cable ties wherever possible.
- At the solenoid end of the air line, always trim the line to length with a sharp knife to avoid distorting the tube where it plugs into the push-in fitting.

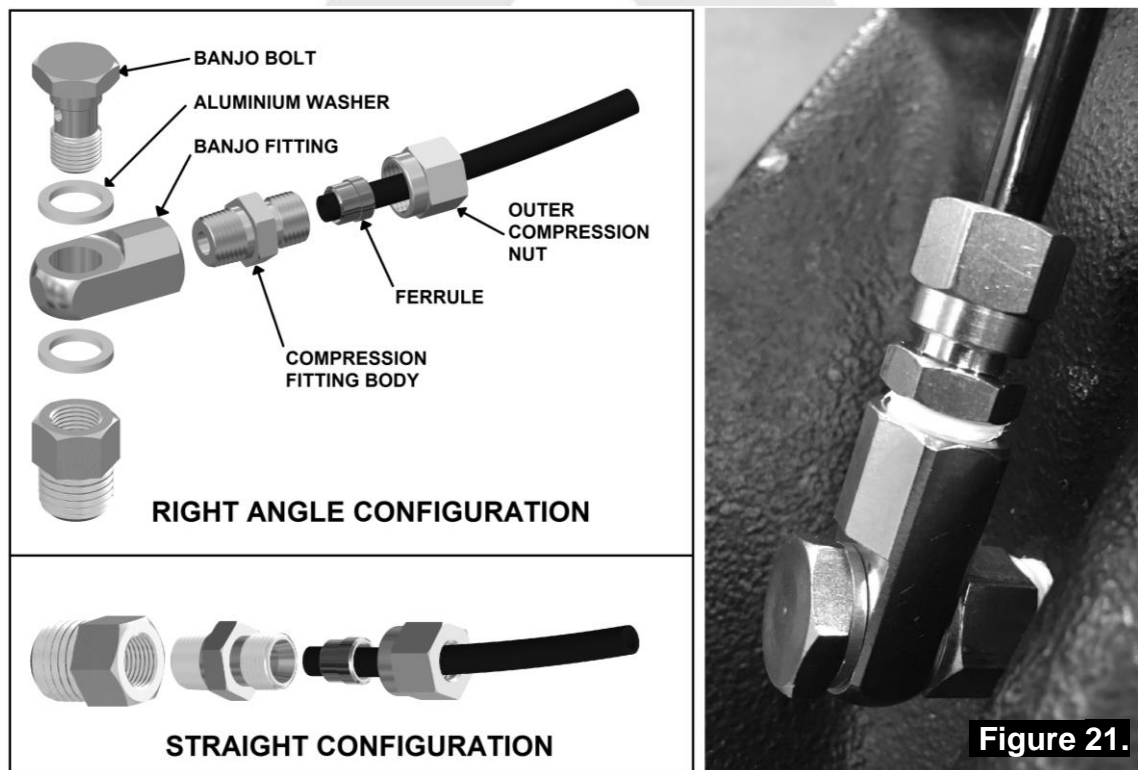
NOTE : **To remove the air line from the push-in fitting; while holding the flange of the fitting out, push the air line into the fitting as far as possible, then press the flange inward, then pull the air line free of the fitting.**

4 Installing the Air System

- To attach the air line to the push-in fitting of the solenoid; insert the line firmly into the fitting, pull outward on the flange of the fitting while holding the line as far into the fitting as possible, and then gently pull outward on the air line to clamp the line in place.

4.3 Connection to the Bulkhead Fitting

- In the case of an IFS axle assembly or in the case that the axle assembly has been completely removed from the vehicle, the assembly will have to be remounted in order to position the bulkhead fitting in its correct location for air line access.
- Trim the air line to length using a sharp knife.
- Assemble an aluminium washer onto the banjo bolt and insert through the banjo fitting. Assemble second aluminium washer and tighten into bulkhead fitting using a 14mm [9/16"] spanner. (Fig.21.)
- Apply thread sealant to the tapered thread of the compression fitting body and screw into the banjo fitting. Tighten using a 12mm spanner.
- Insert the outer compression nut and ferrule over the air line. Ferrule should be orientated as per Fig.21.



4 Installing the Air System

- Push the airline into the compression fitting body and screw the outer nut down onto it. Using a 12mm spanner, tighten the outer nut onto the compression fitting body.

NOTE : Some force is required to crush the ferrule, however the outer compression nut will tighten against a stop. Over tightening will not create a better seal.

- Secure any loose sections of tube with a cable tie.

NOTE : When right angle routing of the tube is not required, screw the compression fitting body straight into the bulkhead fitting body (Fig.21.).



5 Mounting & Connecting the Electrical System

5.1 Mounting the Actuator Switch(es)

Air Locker actuator switch(es) can be easily panel mounted inside the vehicle in a 21mm x 36.5mm [0.83" x 1.44"] rectangular cutout.

NOTE : Only attach the cover plate to the face of the switch once the switch has been mounted and wired correctly as the cover plates are designed to be difficult to remove.

For reasons of safety and for ease of operation, the *Air Locker* actuator switch(es) should be mounted in a location picked to best suit the operator. Make sure you have taken the following points into consideration:

- Switch(es) MUST be mounted and should never be allowed to simply dangle from the wiring loom during vehicle use.
- Switch(es) should be within easy reach of the driver. Ideally, any *Air Locker* switch should be able to be operated without physical effort or distraction to the driver.
- Switch(es) should be mounted within the line of sight of the driver so that switch position ('ON' or 'OFF') can be visually determined by the rocker position and the illumination state.
- The position of the switch(es) should best eliminate any possibility of accidental operation by the driver or one of the passengers.
- Switch cutout position(s) must be located in an area with a minimum of 50mm [2"] of clearance behind the face of the cutout.
- Switch(es) should not be mounted where they will be exposed to water (e.g., in the lower section of an inner door panel).
- ARB recommends that you apply the *Air Locker* Warning Sticker (ARB part # 210101) within close visual proximity of the switch location.

NOTE : If no adequate position can be found on existing dashboard panels, a surface mounted bracket (Fig. 22.) may be purchased from your *ARB Air Locker* distributor to suit 1, 2, or 3 switches.

5 Mounting & Connecting the Electrical System



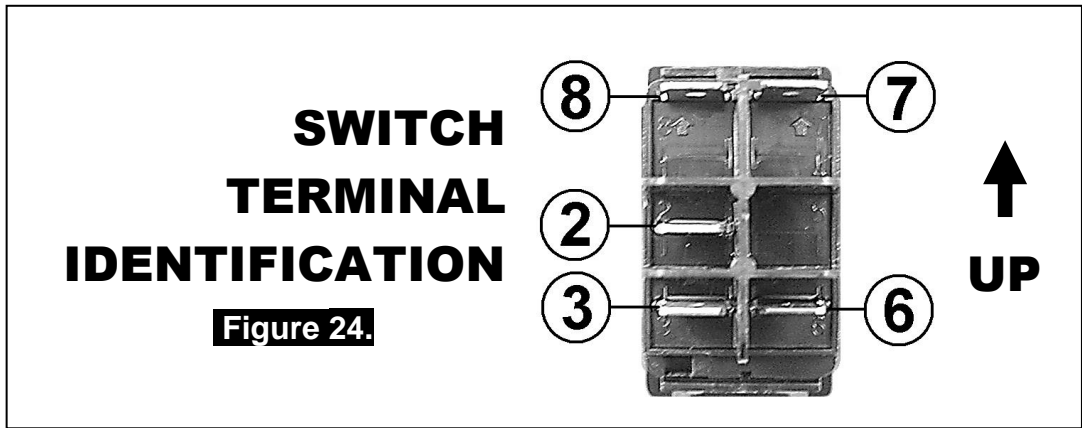
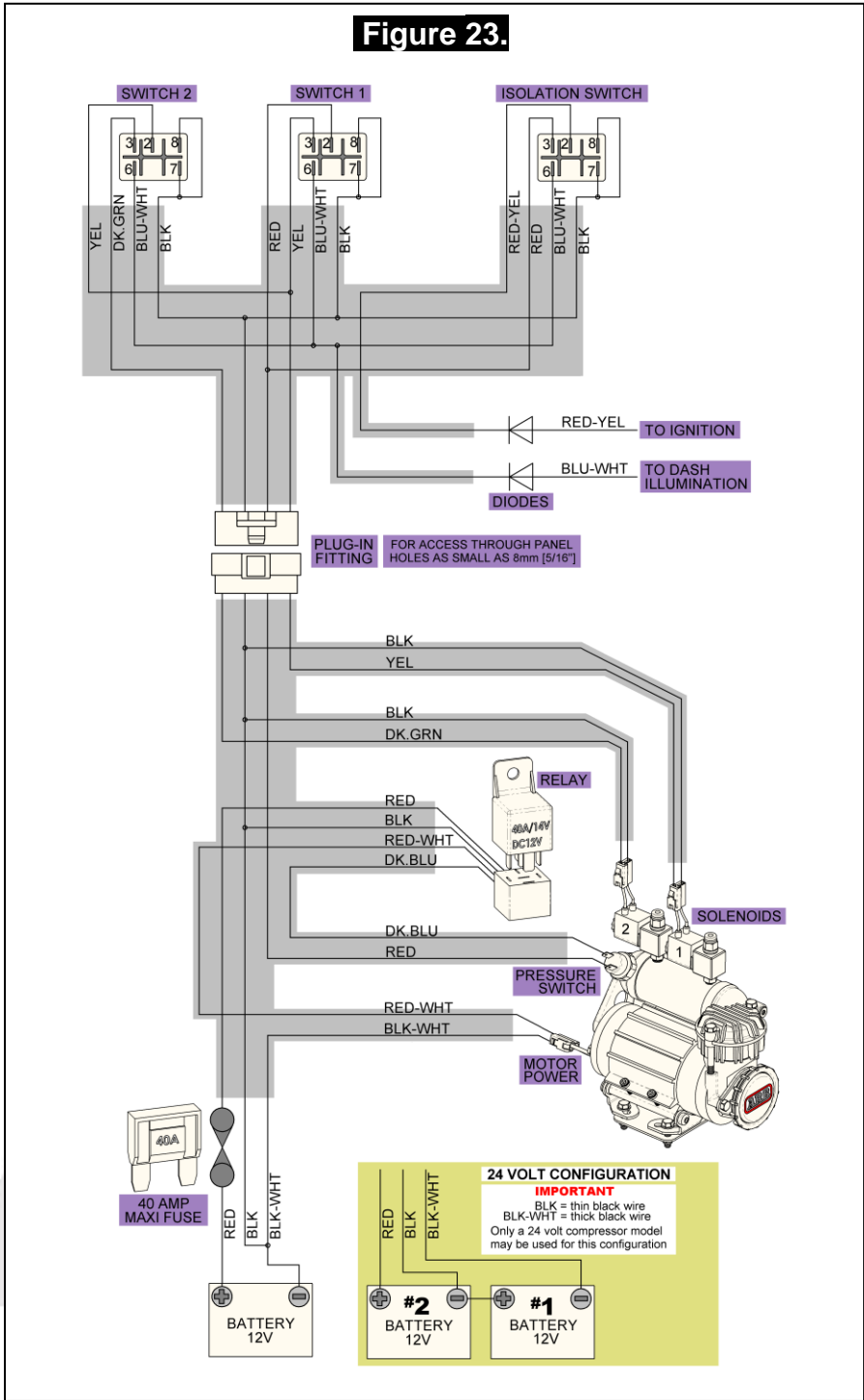
5.2 Wiring the Actuator System

5.2.1 Connection to an ARB Air Compressor

When wiring the *Air Locker* actuator switch(es) and solenoid(s) to an ARB Air Compressor, all connections can easily be set up directly from the supplied wiring loom. (Fig.23.)

NOTE : 180409 model loom shown for reference only. Refer to your ARB Air Compressor Installation Guide for details on configuring your installation.

5 Mounting & Connecting the Electrical System



5 Mounting & Connecting the Electrical System

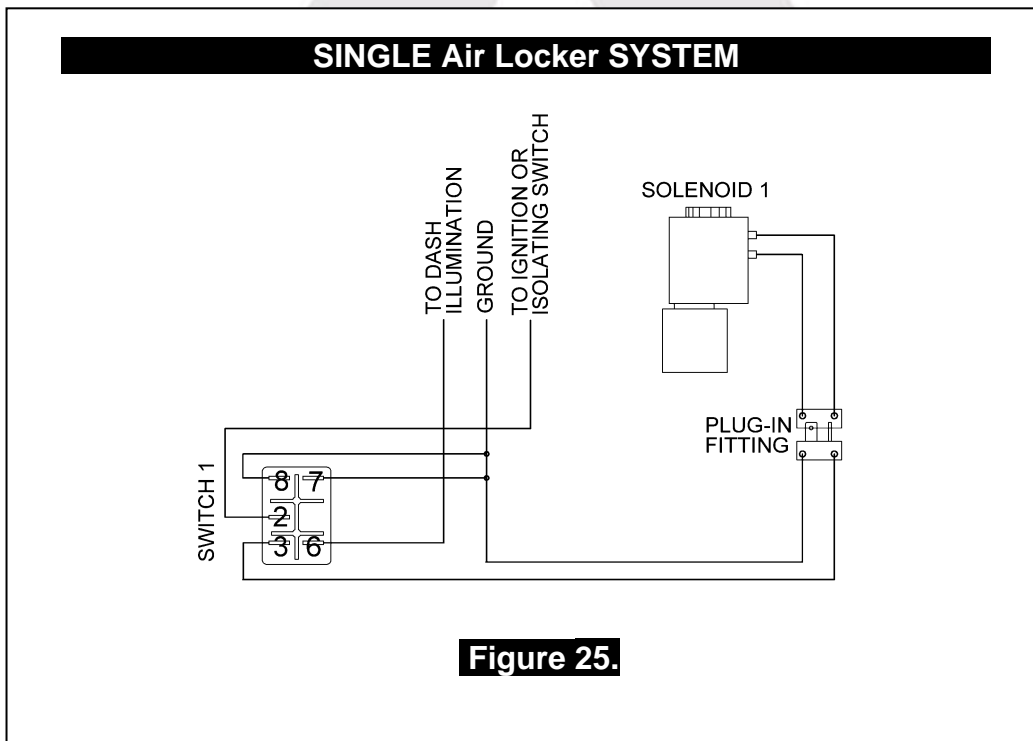
5.2.2 Connection to an Alternate Air Source

When connecting the actuation switch to an alternate air source, the switch(es) should be wired according to figures 25. and 26., depending on whether one or two *Air Lockers* will be installed in the vehicle.

5.2.2.1 Single Air Locker System

- If only one *Air Locker* is to be installed in the system, the switch and solenoid should be wired according to figure 25. regardless of whether the *Air Locker* has been installed in the front or rear axle of the vehicle.
- Attach the appropriate switch cover (i.e., 'FRONT' or 'REAR') to the switch.

NOTE : Refer to Figure 24. for the correct switch terminal identification and switch orientation.



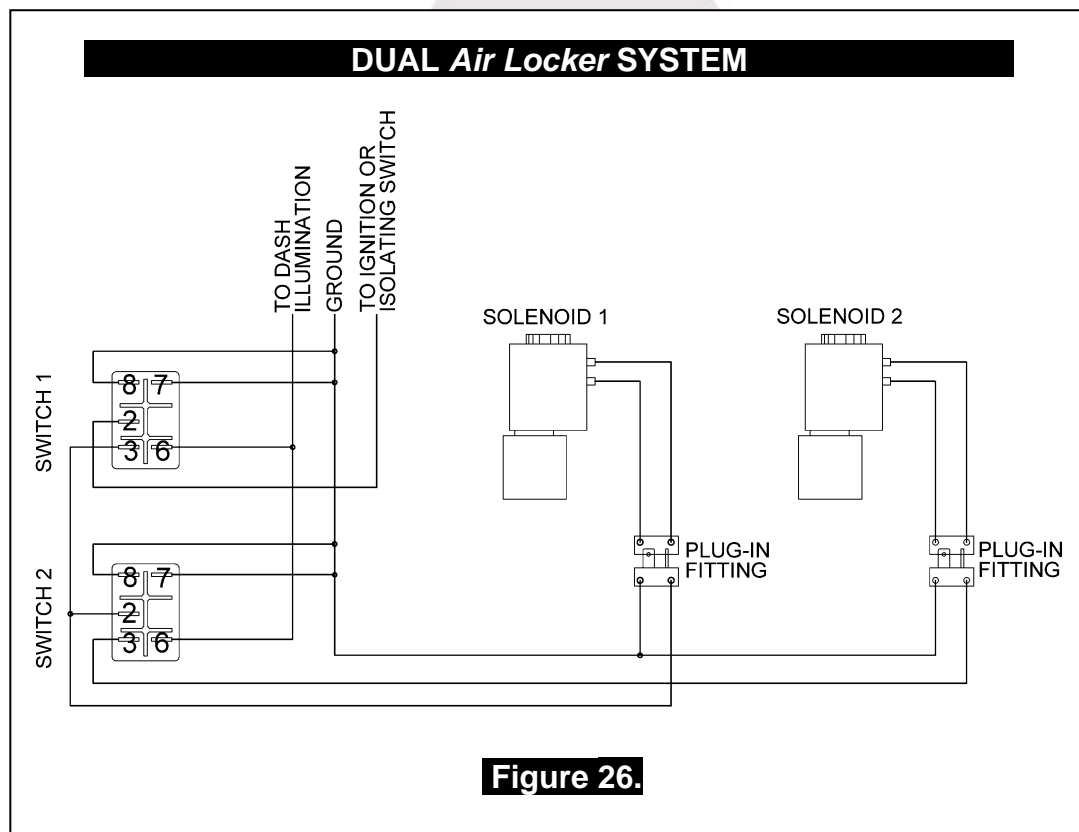
5 Mounting & Connecting the Electrical System

5.2.2.2 Dual Air Locker System

- If two *Air Lockers* are to be installed in the system, ARB recommends that the switches and solenoids be wired according to figure 26. For safety reasons, this configuration allows SOLENOID 2 to be actuated only if SOLENOID 1 is already on.
- Attach the “REAR AIR LOCKER” switch cover to SWITCH 1, and the “FRONT AIR LOCKER” switch cover to SWITCH 2.

NOTE : Refer to Figure 24. for the correct switch terminal identification and switch orientation.

- Configure SOLENOID 1 as the air line leading to the rear axle *Air Locker*, and SOLENOID 2 as the air line leading to the front axle *Air Locker*.



6 Testing & Final Assembly

6.1 Leak Testing

- With the vehicle parked and the engine off, turn the compressor on and wait until the air system is fully charged.

NOTE : With the *Air Locker(s)* disengaged, the air source (i.e., compressor) should not have to recharge over time. Intermittent recharging without *Air Locker* use usually indicates a leak at the solenoid fittings or at the compressor tank O-ring seal.

- Actuate the *Air Locker(s)*.
- The compressor should not come on again for a period of at least 15min. Air system recharging within that time period would indicate that a leak is present in the system.

NOTE : If an alternate air source (e.g., an air cylinder or a belt driven air pump) is used instead of a compressor, the air system will have to be leak tested with a pressure gauge and a shut-off valve in series before the solenoid input.

- If a leak is found to be present, spray a soap and water mixture onto all air fittings in the system while the compressor is fully charged. Bubbles should appear at any leak points.
- Check that leaky fittings have been adequately tightened.
- Disassemble, clean threads, and reapply thread sealant if leaking persists.

6 Testing & Final Assembly

6.2 Testing the Air Locker Actuation

To test that your air system, electrical system, and your *Air Locker* differential is functioning correctly:

- Support the vehicle such that the wheels are free to rotate (e.g., on axle stands, a chassis hoist, etc.)
- Leave the parking brake off, the transmission in neutral, and the *Air Locker* switch 'OFF'.
- Turn the ignition to the 'ON' position (leaving the motor off). The large illuminating symbol on the *Air Locker* switch cover should be 'OFF'.
- Turn the compressor (or alternate air source) on to charge the air supply up to its maximum pressure.
- While supporting the drive shaft flange, rotate one wheel by hand.
- The wheel should rotate freely and the opposite wheel should be turning in the opposite direction without any resistance or mechanical noise from within the differential.
- Turn the *Air Locker* switch to the 'ON' position. The illuminated symbol on the switch cover should light up.
- Rotate the same wheel again.
- Both wheels should rotate together.
- Turn the switch off again.
- Rotate the same wheel.
- The wheels should again rotate in opposite directions.

6.3 Re-Sealing & Filling the Differential

NOTE : Consult the *ARB Air Locker Operating & Service Manual* for recommendations on differential lubricant specifications.

- B** On the "*Live Axle*" replace the differential cover using gasket sealant or a new differential cover gasket for your make of vehicle.
- Refill the differential until level with the filler hole.
- Rotate the differential center 2 full turns.
- Check the oil level and add oil if necessary.
- Replace filler plug (apply thread sealant to filler plug before inserting if it is a threaded type plug).
- Wipe differential housing clean of any oil or grease which may collect dirt or other abrasive particles.

6 Testing & Final Assembly

6.4 Post-Installation Check List

Now that the *Air Locker* installation has been completed, ARB recommends that you take the time to complete the following check list just to insure that you haven't missed any of the vital steps.

- The air system has been leak tested.
- Thread locking compound was used on the ring gear bolts.
- All torque settings comply with the vehicle manufacturer's specs and were set with an accurate torque wrench.
- Differential fluid complies with ARB recommendations and has been filled to the correct level.
- All air lines and wiring have been securely cable tied to resist snagging.
- Switch(es) have been securely mounted within operator reach, yet well away from danger of accidental engagement.
- Switch(es) function properly and illuminate to indicate that *Air Locker(s)* are engaged.
- All operators who are to use the *Air Locker* have read, and fully understand the *ARB Air Locker Operating & Service Manual*.
- The *Air Locker* Warning Sticker has been located within close proximity of the actuator switch(es).

INSTALLATION PERFORMED BY: _____

DATE OF INSTALLATION: _____

ODOMETER READING: _____

ARB AIR LOCKER SERIAL No: _____



7 Parts List

RD197

AAM 925 & 950|HIGH SPD

7.1 Exploded Assembly Diagram

(See itemized parts list overleaf)

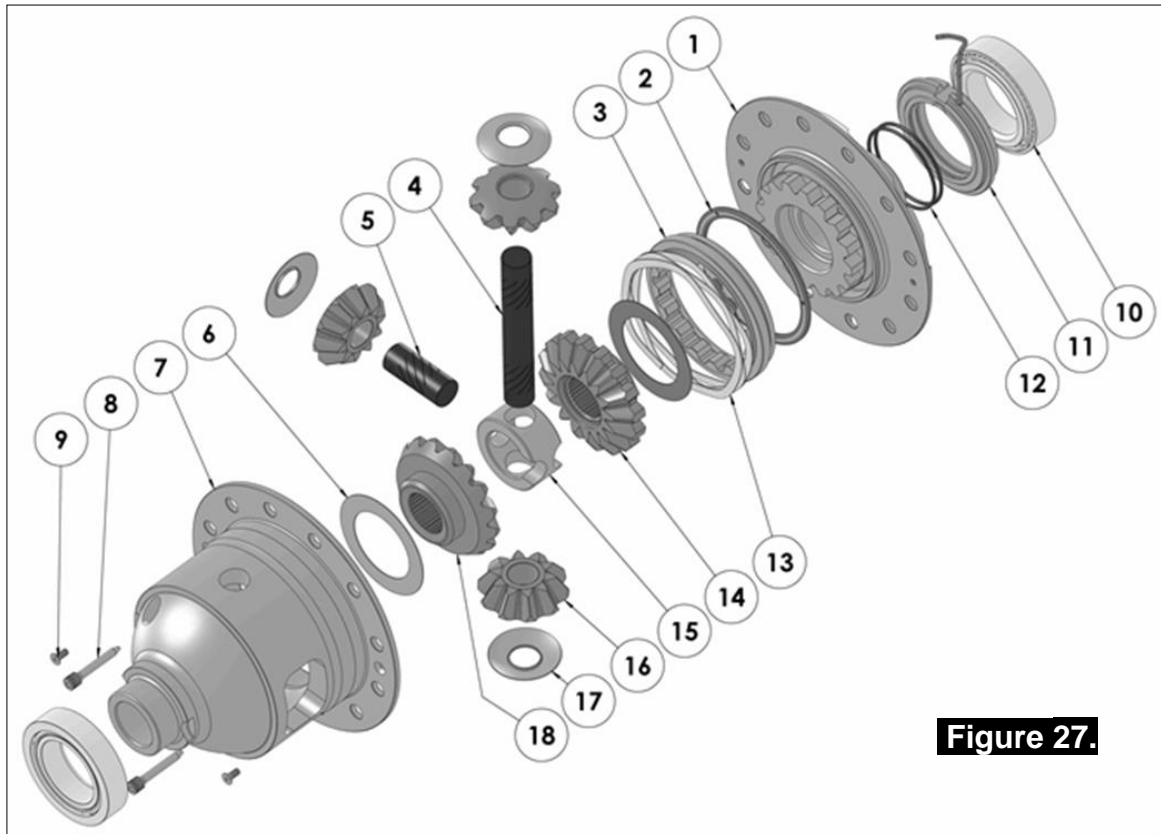


Figure 27.

7.2 Specifications

Axle Spline	33 tooth, Ø34.8mm [1.37"]
Ratio Supported	High speed carrier-Ref R&P manufacturer
Ring Gear ID	152.9mm [6.02"]
Ring Gear OD	235mm [9.25"] / 241mm [9.50"]
Ring Gear Bolts	12 bolts on Ø181mm [7.13"]
Ring Gear Torque	88Nm [65 ft-lb]
Backlash	0.15-0.25mm [0.006-0.010"]
Bearing Cap Torque	108Nm [80 ft-lb]

7 Parts List

7.3 Itemized Parts List

(See exploded diagram figure 27.)

ITEM #	QTY	DESCRIPTION	PART #	NOTES
1	1	FLANGE CAP KIT	028612SP	
2	1	BONDED SEAL	160703SP	
3	1	CLUTCH GEAR & WAVESPRING KIT	050907SP	6
*	1	CLUTCH GEAR & RETURN SPRINGS KIT	050807SP	6
4	1	LONG CROSS SHAFT	061501SP	
5	1	SHORT CROSS SHAFT	061601SP	
6	2	SIDE GEAR THRUST WASHER	SEE NOTE	4
7	1	DIFFERENTIAL CASE (SUITS WAVESPRING ONLY)	013220SP	5
*	1	DIFFERENTIAL CASE (SUITS RETURN SPRINGS ONLY)	013212SP	5
8	1	RETAINING PIN SET (PK OF 4)	120601SP	
9	1	COUNTERSUNK SCREW (PK OF 2)	200214SP	
10	2	TAPERED ROLLER BEARING	NOT SUPPLIED	2
11	1	SEAL HOUSING KIT	080903SP	
12	1	SEAL HOUSING O-RINGS (PK OF 2)	160239-2	1
13	1	WAVESPRING	150707SP	6
*	1	RETURN SPRINGS KIT	150107SP	6
14	1	SPLINED SIDE GEAR	SEE NOTE	3
15	1	SPIDER BLOCK	070404SP	
16	4	PINION GEAR	SEE NOTE	3
17	4	PINION THRUST WASHER	SEE NOTE	4
18	1	SIDE GEAR	SEE NOTE	3
*	1	SEAL HOUSING BRACKET (LIVE AXLE)	220203	
*	1	SEAL HOUSING BRACKET (IFS)	220211	
*	1	BULKHEAD FITTING KIT (BANJO TYPE)	170114	7
*	1	AIR LINE (6mm DIA X 6m LONG)	170314SP	7
*	1	SOLENOID VALVE (12V)	180103	
*	1	SWITCH FR OR RR LOCKER	180225	
*	1	CABLE TIE (PK OF 25)	180305	
*	1	OPERATING & SERVICE MANUAL	210200	
*	1	INSTALLATION GUIDE	2102197	

* *Not illustrated in exploded view*

NOTES

- 1 For replacement O-rings use only BS140 Viton 75.
 - 2 For replacement bearing use Timken part # JLM506849A-JLM506811.
 - 3 Available only as complete 6 gear set # 728K131.
 - 4 Available only as complete thrust washer kit #730K01.
 - 5 Identify the spring type in your diff and order the correct diff case to replace.
 - 6 Replace the spring and/or the corresponding clutch gear with the same type.
(If the spring type is changed, a matching diff case must also be used. See item 7.)
 - 7 All diffs produced before serial #17070001 came with 5mm air connection system.
For information contact ARB.
- Ring gear bolts are M12 x 1.5mm left-hand thread, and must be removed in a clockwise direction.
 - Use extreme care to protect the sealing faces of the flange cap when separating the two halves of the clamshell housing.

Part No. 2102197
Revision 27/10/2020
Copyright © 2015 by ARB Corporation Limited

